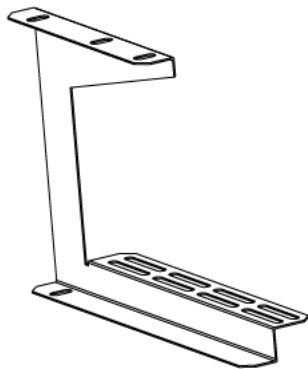
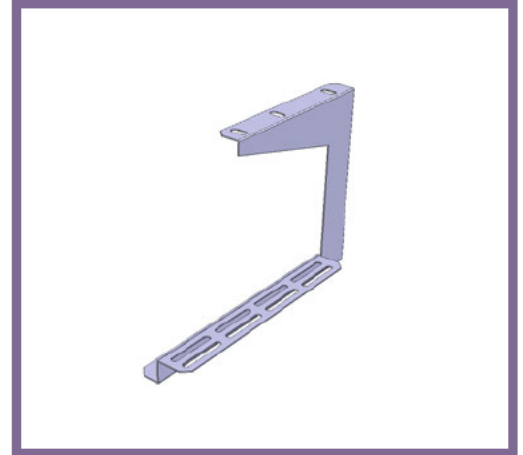


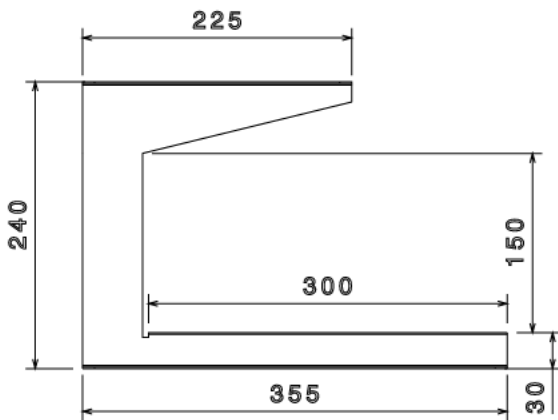


TTH300 - TRAY HANGER

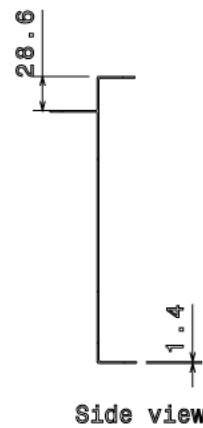
Description	TTH300 - 300mm Tray Hanger
Finish	Pre-Galvanised
Material	Pre-Galvanised Steel
Packaging	Packed in qty 20
Additional Notes	Multiple or single balanced fixing points Compliant to LU Standard 1-085 (for use on surface & sub-surface locations)



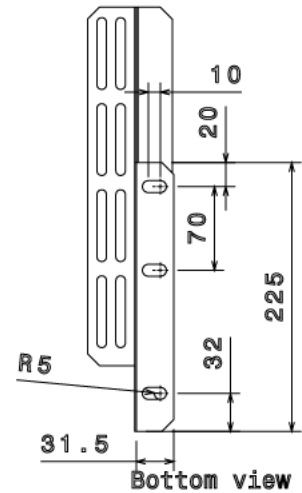
Isometric view



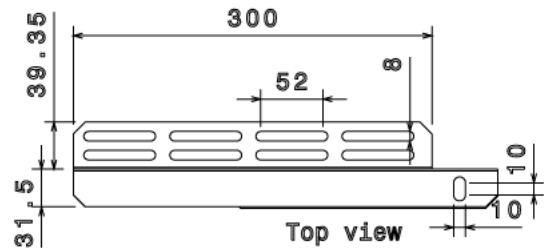
Front view



Side view



Bottom view



Top view

All measurements in mm unless otherwise stated