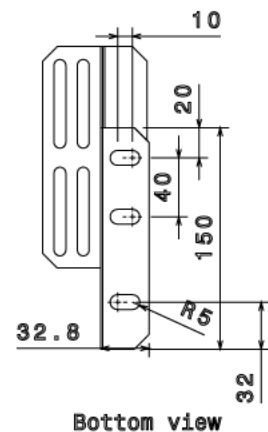
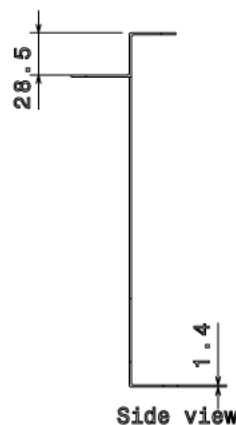
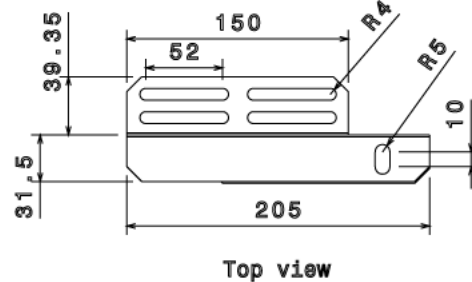
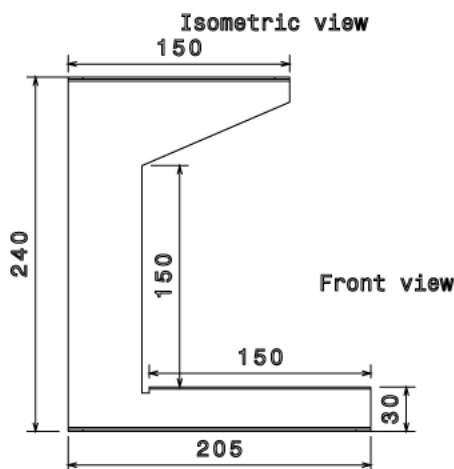
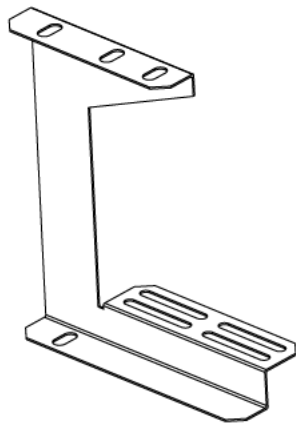
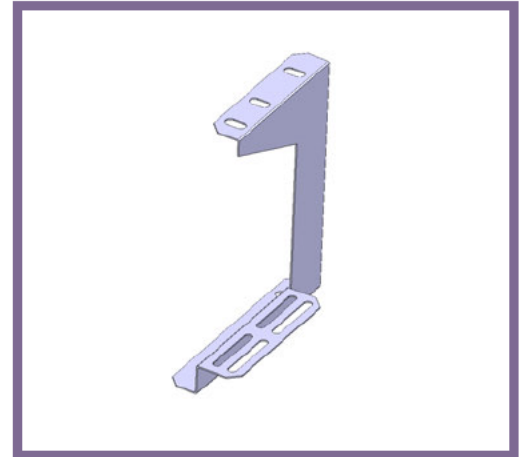




## TTH150 - TRAY HANGER

<b>Description</b>	TTH150 - 150mm Tray Hanger
<b>Finish</b>	Pre-Galvanised
<b>Material</b>	Pre-Galvanised Steel
<b>Packaging</b>	Packed in qty 20
<b>Additional Notes</b>	Multiple or single balanced fixing points Compliant to LU Standard 1-085 ( for use on surface & sub-surface locations)



All measurements in mm unless otherwise stated