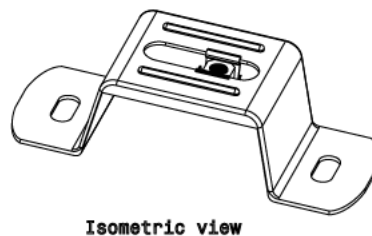
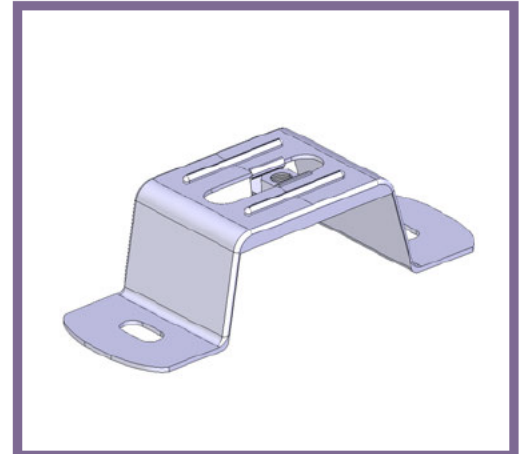


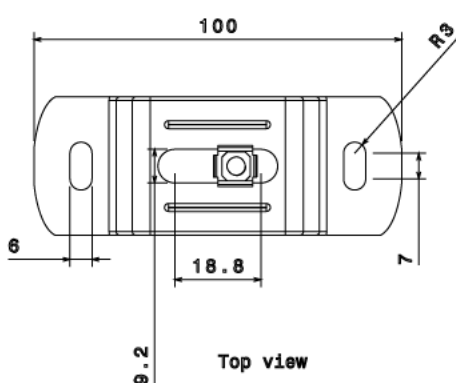


## THB50 - TOP HAT BRACKET

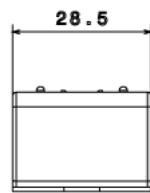
<b>Description</b>	THB50 - 50mm Top Hat Bracket
<b>Finish</b>	Steel
<b>Material</b>	BZP
<b>Packaging</b>	Packed in qty 50
<b>Additional Notes</b>	Supplied with 1 x slot and 1 x M6 Captive nut Compliant to LU Standard 1-085 ( for use on surface & sub-surface locations)



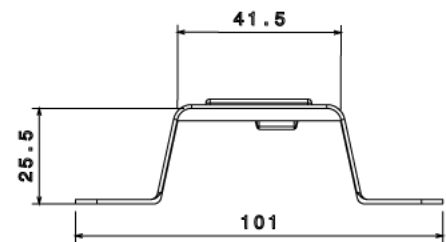
Isometric view



Top view



Front view



Side view

All measurements in mm unless otherwise stated