



SR32 - EXTENSION RING

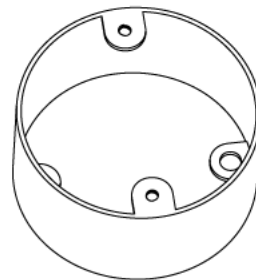
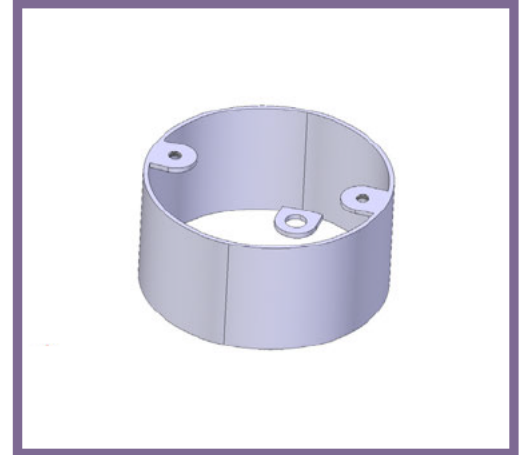
Description SR32G / B - 32mm Extension Ring

Finish BZP (G) or Black Enamel (B)

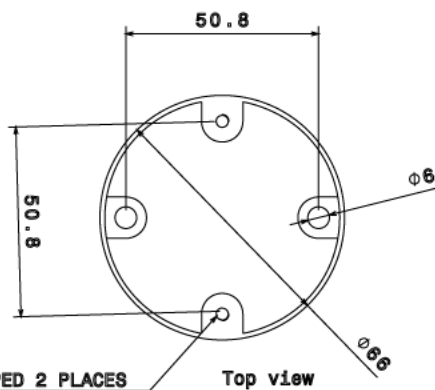
Material Steel

Packaging Packed in qty 20

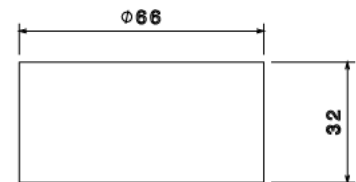
Additional Notes



Isometric view



Top view



Side view

All measurements in mm unless otherwise stated