



SB2 - CONDUIT SOLID BEND

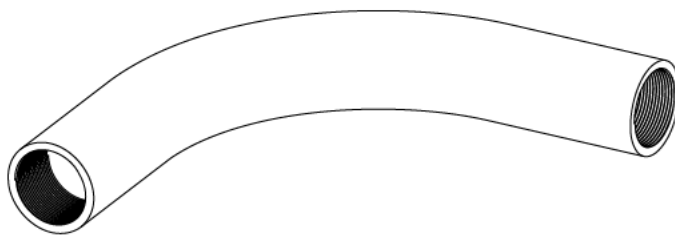
Description SB2G / B - 25mm Conduit Solid Bend

Finish Galvanised (G) or Black Enamel (B)

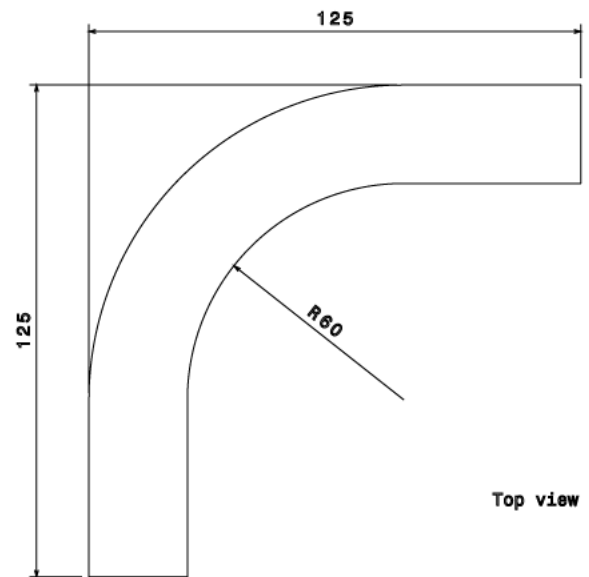
Material Steel

Packaging Packed in qty 10

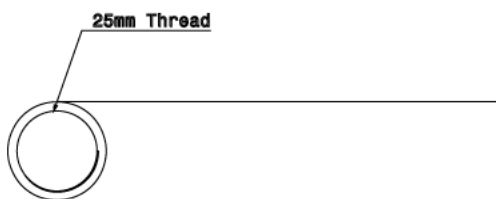
Additional Notes



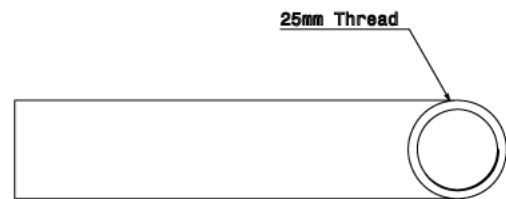
Isometric view



Top view



Left view



Right view

All measurements in mm unless otherwise stated