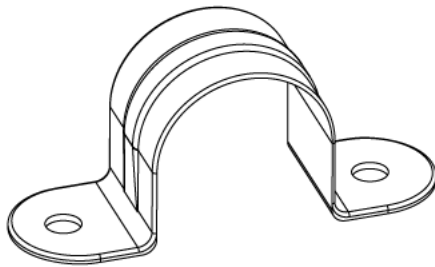
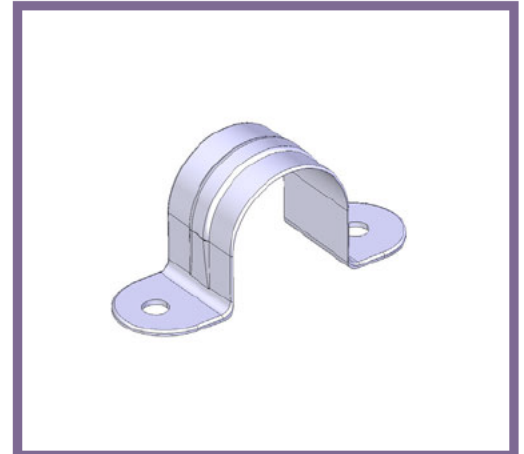


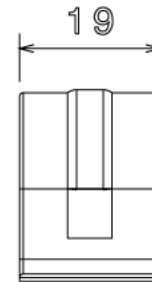


PS2 - PLAIN SADDLE

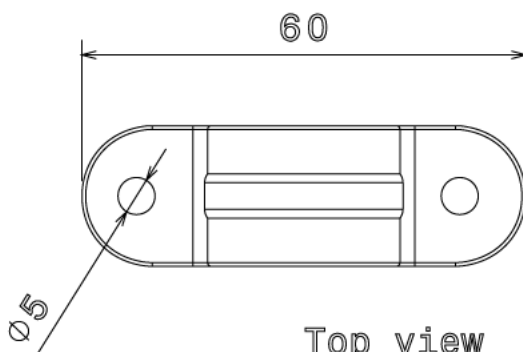
Description	PS2G / B - 25mm Plain Saddle
Finish	BZP (G) or Black Enamel (B)
Material	Pressed Steel
Packaging	Packed in qty 100
Additional Notes	Compliant to LU Standard 1-085 (For use on surface & sub-surface locations)



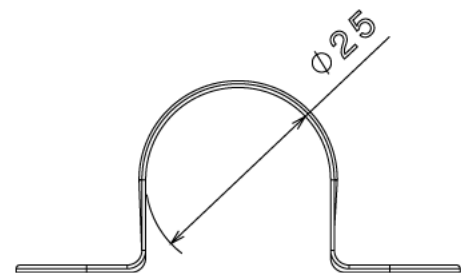
Isometric view



Side view



Top view



Front view

All measurements in mm unless otherwise stated