



PL - PVC CONDUIT CIRCULAR BOX LID

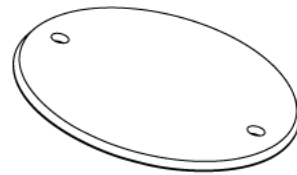
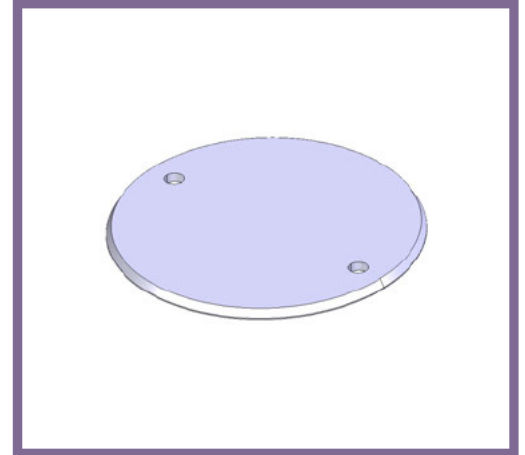
Description PLW / B - PVC Conduit Circular Box Lid

Finish White (W) Black (B)

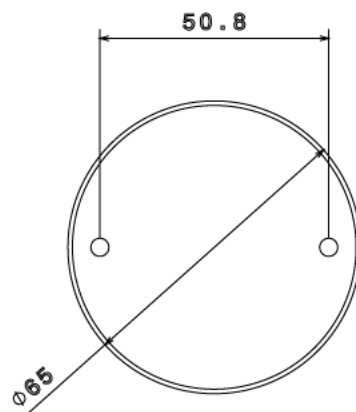
Material PVC

Packaging Packed in qty 100

Additional Notes Manufactured to BS4607 part 1



Isometric view



Top view



Side view

All measurements in mm unless otherwise stated