



PLN20 - PVC LOCKNUT -

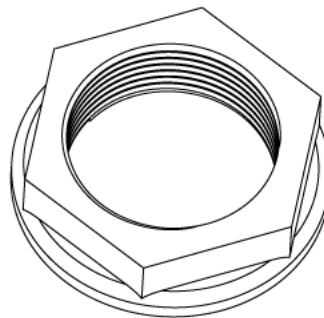
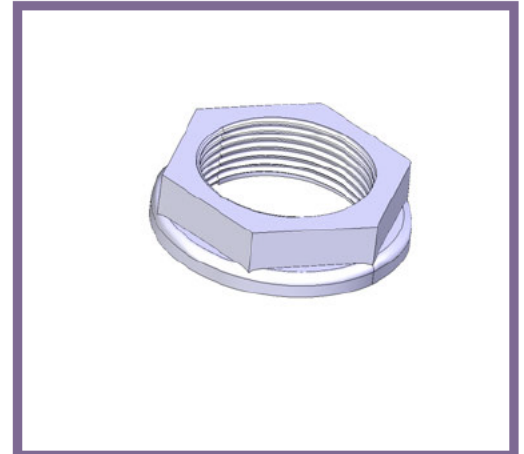
Description PLN20W / B / R - PVC 20mm Locknut

Finish White (W) Black (B) Red (R)

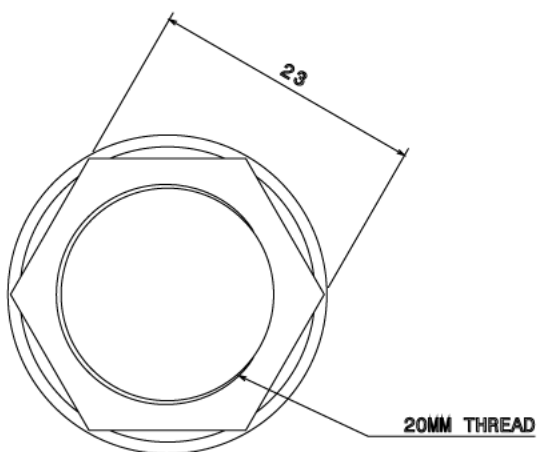
Material PVC

Packaging Packed in qty 100

Additional Notes Manufactured to BS4607 part 1



Isometric view



Top view



Side view

All measurements in mm unless otherwise stated