



PB4 - PVC CONDUIT BOX

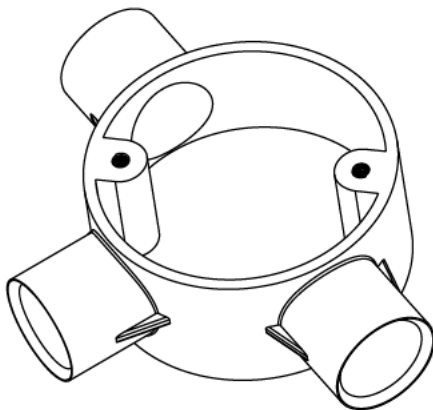
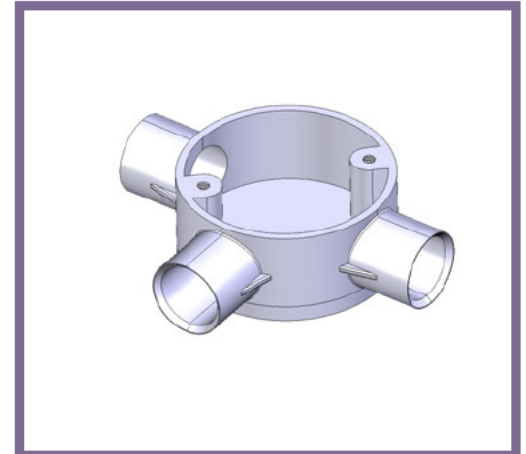
Description PB4W / B - 20mm Tee PVC Conduit Box

Finish White (W) Black (B)

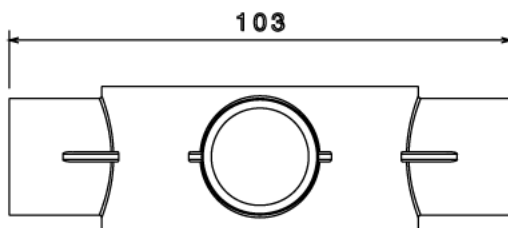
Material PVC

Packaging Packed in qty 20

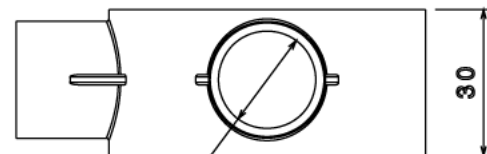
Additional Notes Manufactured to BS4607 part 1
Product includes 2 x M4 Brass Inserts



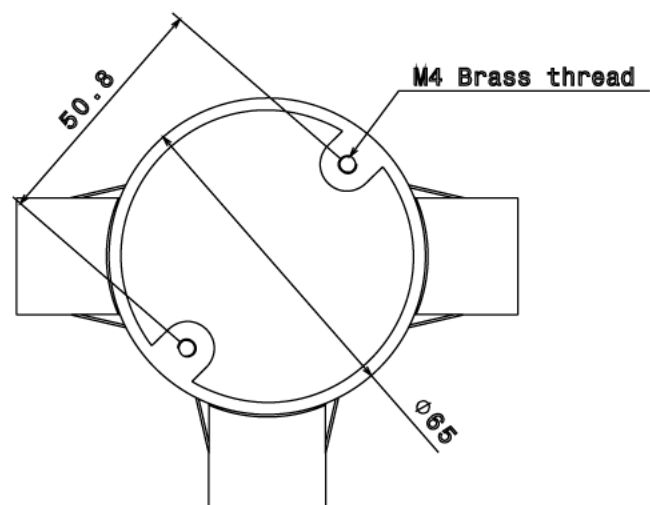
Isometric view



Front view



Side view



Top view

All measurements in mm unless otherwise stated