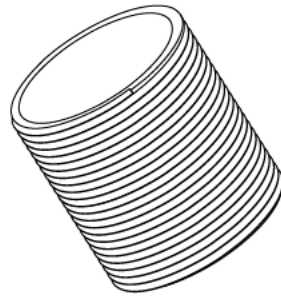
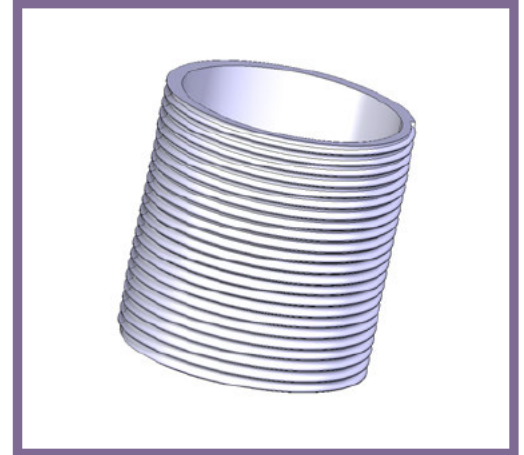


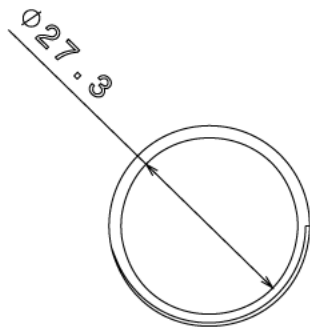


NS3 - CONDUIT NIPPLE

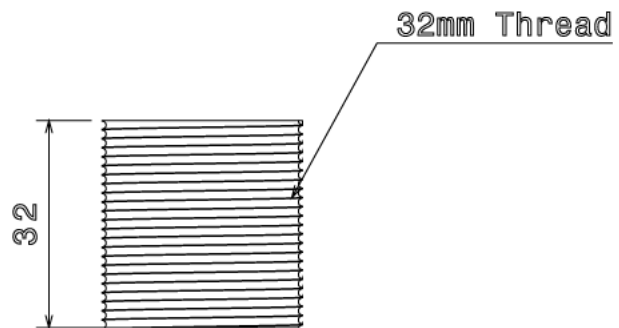
| | |
|-------------------------|--|
| Description | NS3 - 32mm Conduit Screwed Nipple |
| Finish | BZP |
| Material | Steel |
| Packaging | Packed in qty 25 |
| Additional Notes | Compliant to LU Standard 1-085 (For use on surface & sub-surface locations) |



Isometric view



Top view



Side view

All measurements in mm unless otherwise stated