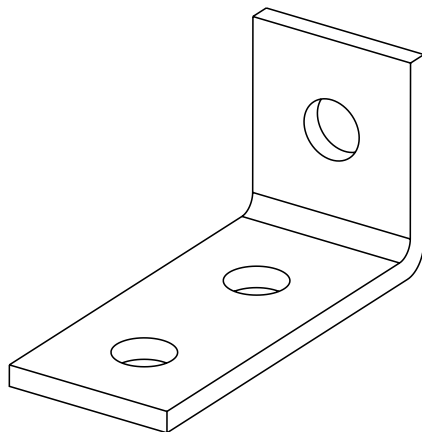
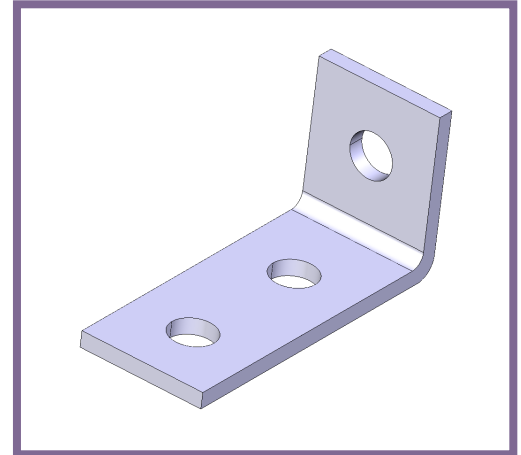


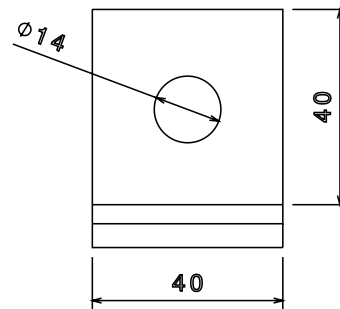


## MP9 - CHANNEL BRACKET

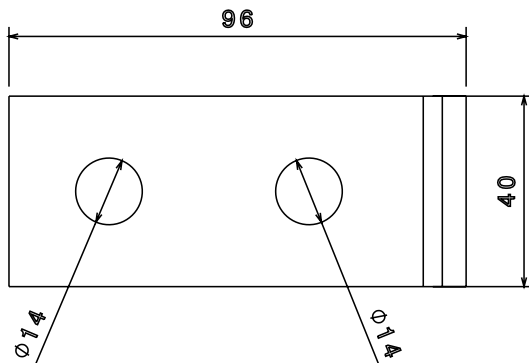
|                         |  |
|-------------------------|--|
| <b>Description</b>      | MP9 - 1 + 2 Hole 90° Bracket   |
| <b>Finish</b>           | Hot Dipped Galvanised  |
| <b>Material</b>         | Steel  |
| <b>Packaging</b>        | Supplied individually  |
| <b>Additional Notes</b> | Compliant to LU Standard 1-085<br>(For use on surface & sub-surface locations) |



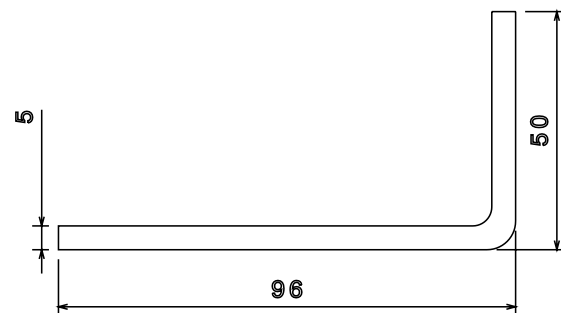
**Isometric view**



**Front view**



**Top view**



**Side view**

All measurements in mm unless otherwise stated