



MP524 - CHANNEL CANTILEVER ARM

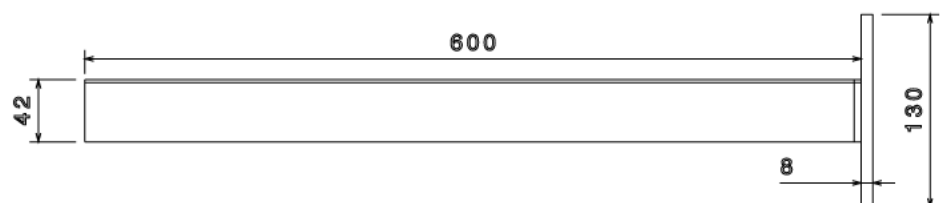
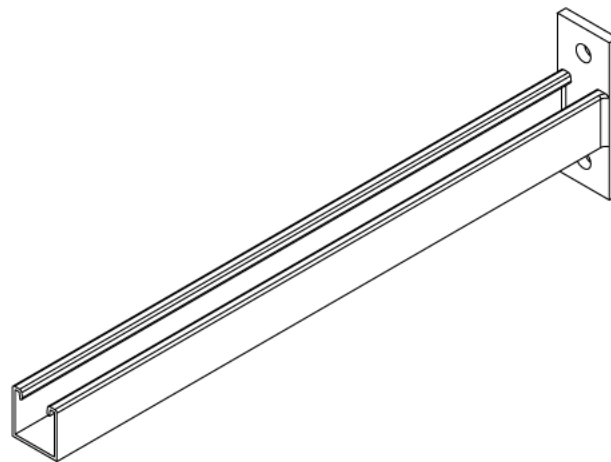
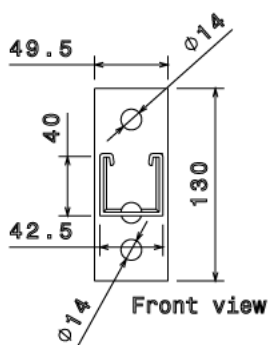
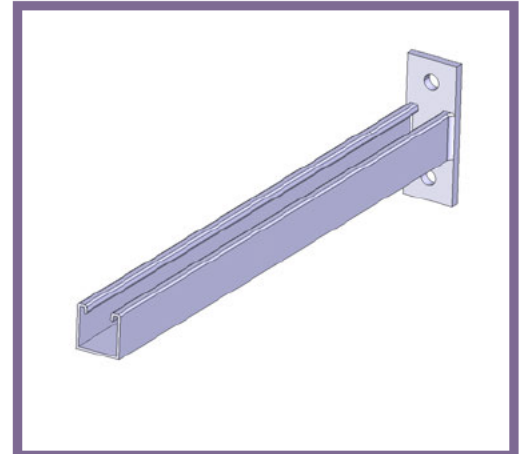
Description MP524 - 600mm Channel Cantilver Arm - 2 hole base plate

Finish Hot Dipped Galvanised

Material Steel

Packaging Supplied individually

Additional Notes Compliant to LU Standard 1-085
(For use on surface & sub-surface locations)



All measurements in mm unless otherwise stated