



MP523 - CHANNEL CANTILEVER ARM

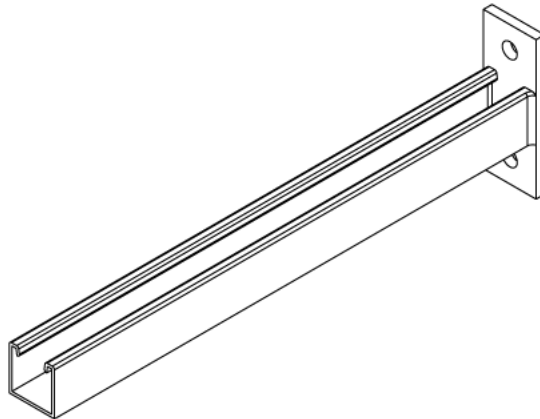
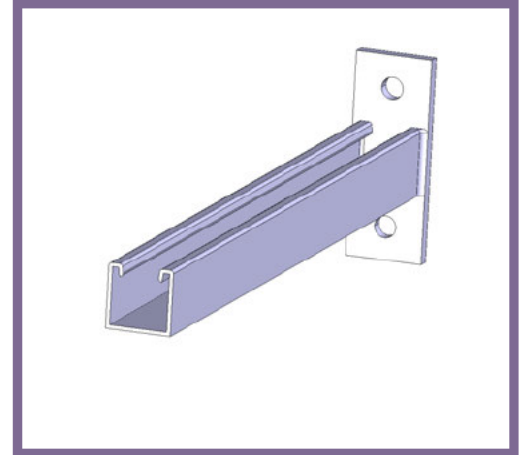
Description MP523 - 450mm Channel Cantilver Arm - 2 hole base plate

Finish Hot Dipped Galvanised

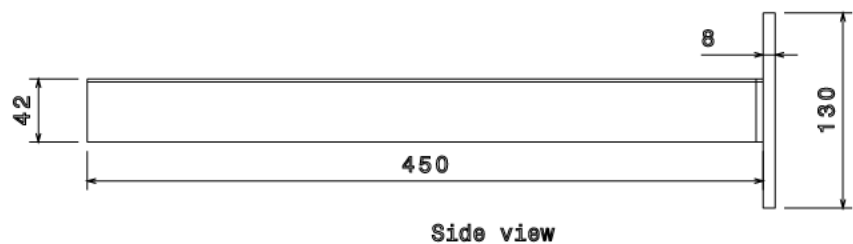
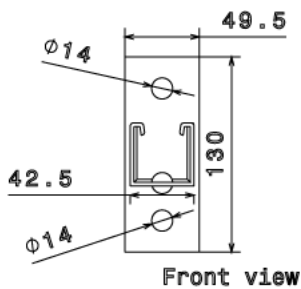
Material Steel

Packaging Supplied individually

Additional Notes Compliant to LU Standard 1-085
(For use on surface & sub-surface locations)



Isometric view



All measurements in mm unless otherwise stated