



## MP48/21 - CHANNEL BRACKET

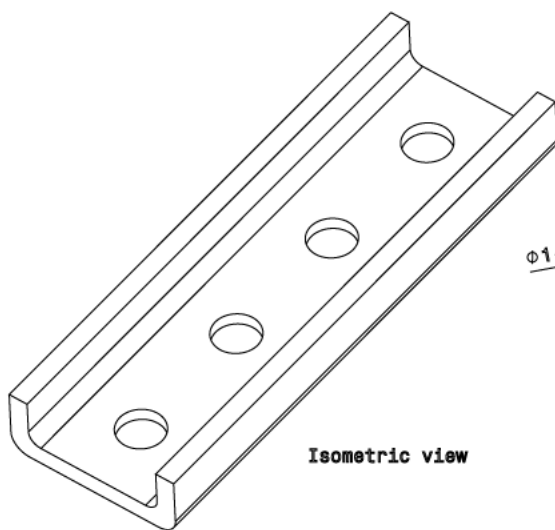
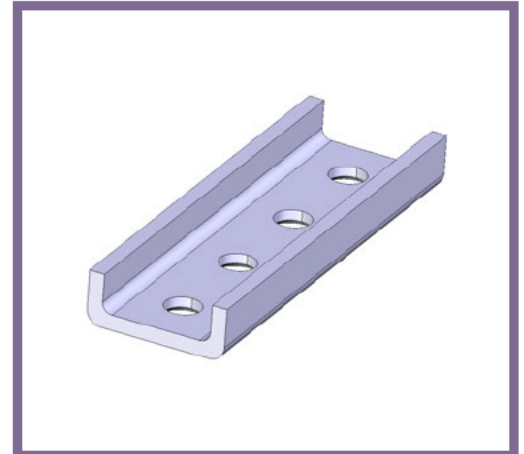
**Description** MP48/21 - 21mm External Channel Coupler

**Finish** Hot Dipped Galvanised

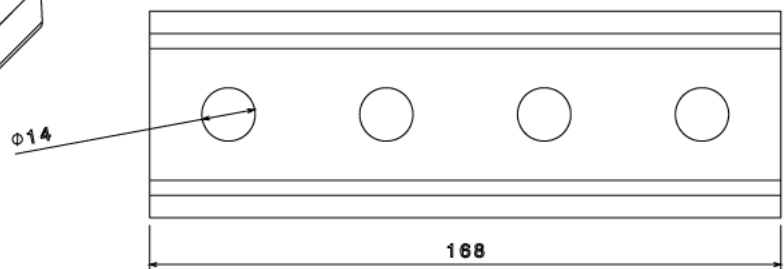
**Material** Steel

**Packaging** Packed in qty 10

**Additional Notes** Compliant to LU Standard 1-085  
(For use on surface & sub-surface locations)

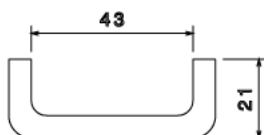


Isometric view



168

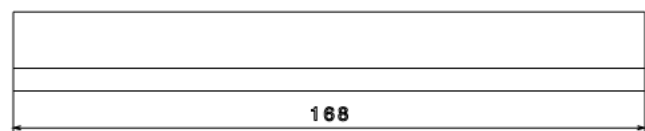
Top view



43

21

Front view



168

Side view

All measurements in mm unless otherwise stated