



## MP47/21 - CHANNEL BRACKET

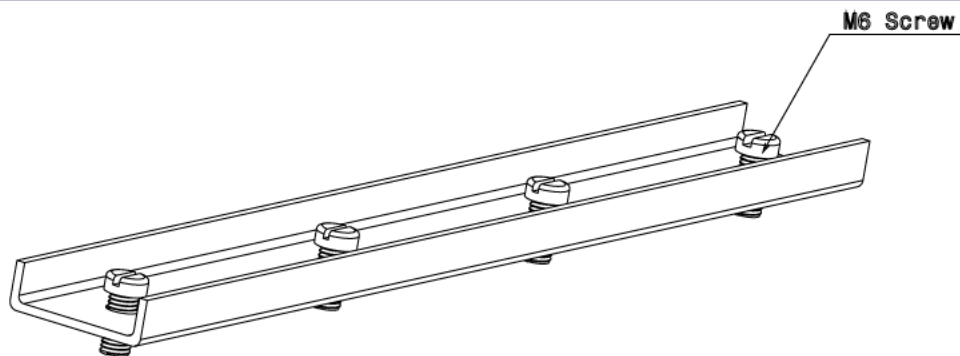
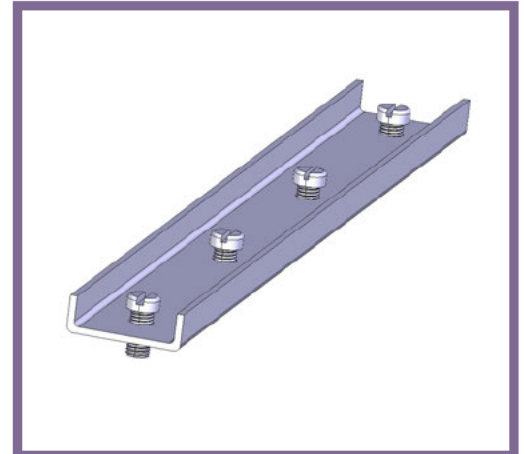
**Description** MP47/21 - 21mm Internal Channel Coupler c/w Screws

**Finish** Bright Zinc Plated

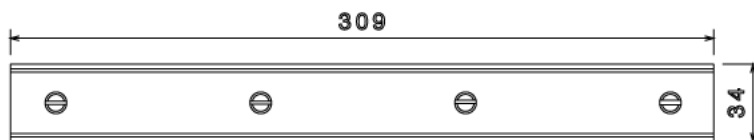
**Material** Pressed Steel

**Packaging** Packed in qty 20

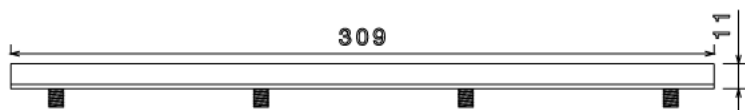
**Additional Notes** Supplied with qty 4 screws to suit  
Compliant to LU Standard 1-085  
( for use on surface & sub-surface locations)



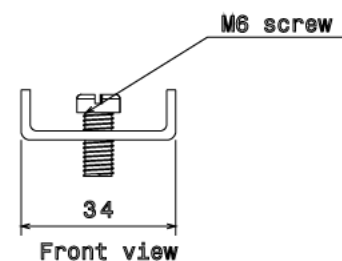
Isometric view



Top view



Side view



Front view

All measurements in mm unless otherwise stated