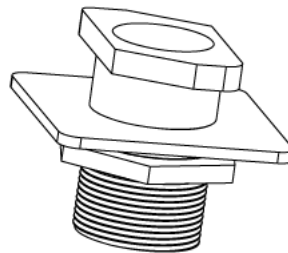
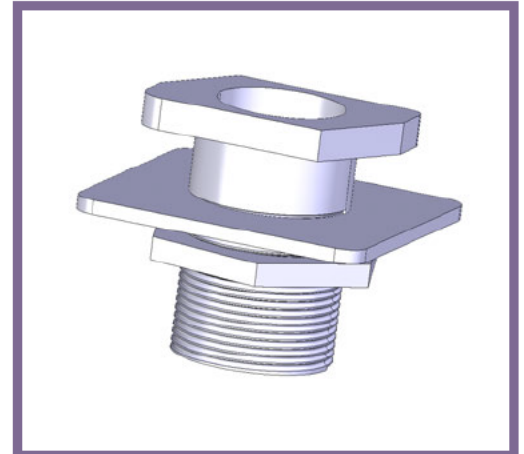


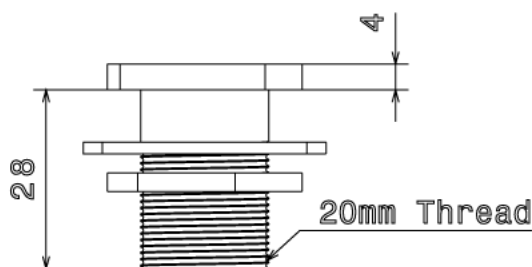


MP46 - CHANNEL BRACKET

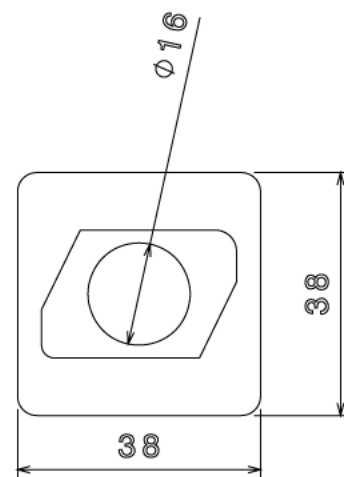
| | |
|-------------------------|--|
| Description | MP46 - Suspension Unit |
| Finish | Hot Dipped Galvanised |
| Material | Cast Body, Pressed Steel Plate and Nut |
| Packaging | Packed in qty 100 |
| Additional Notes | Consists of Threaded Body, Plate and Flat Nut Compliant to LU Standard 1-085 (for use on surface & sub-surface locations) |



Isometric view



Side view



Top view

All measurements in mm unless otherwise stated