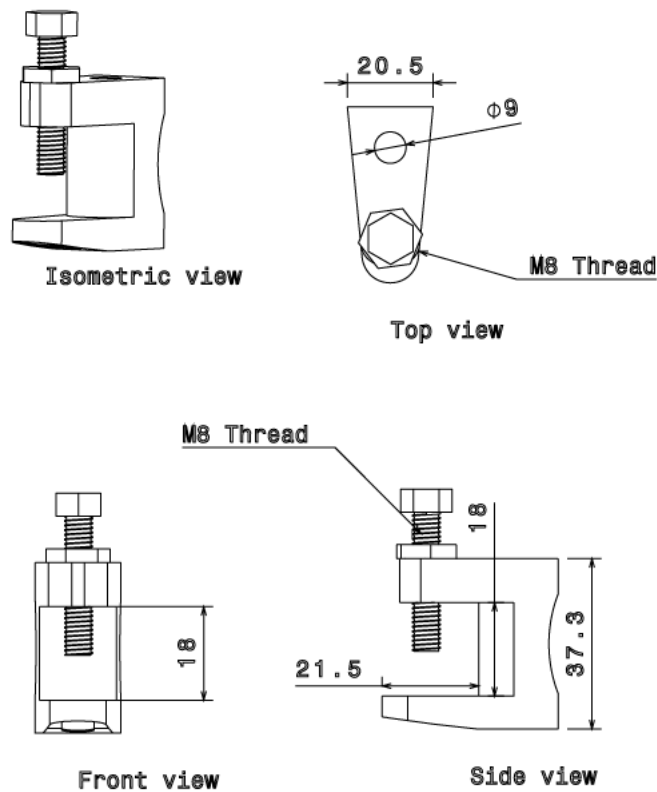
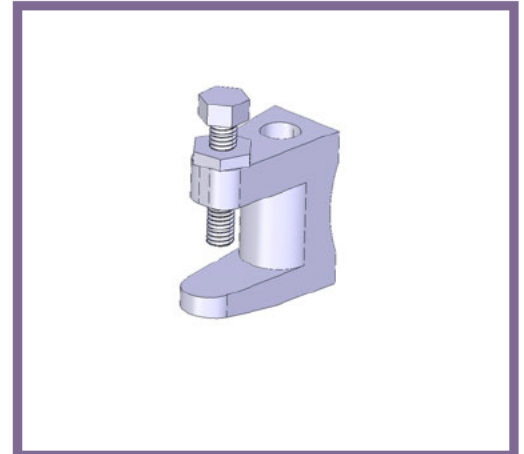




MP44/8 - CHANNEL BRACKET

| | |
|-------------------------|--|
| Description | MP44/8 - M8 G Clamp |
| Finish | Hot Dipped Galvanised |
| Material | Cast Iron |
| Packaging | Packed in qty 25 |
| Additional Notes | Consists of G Clamp c/w M8 Bolt and Nut Compliant to LU Standard 1-085 (for use on surface & sub-surface locations) |



All measurements in mm unless otherwise stated