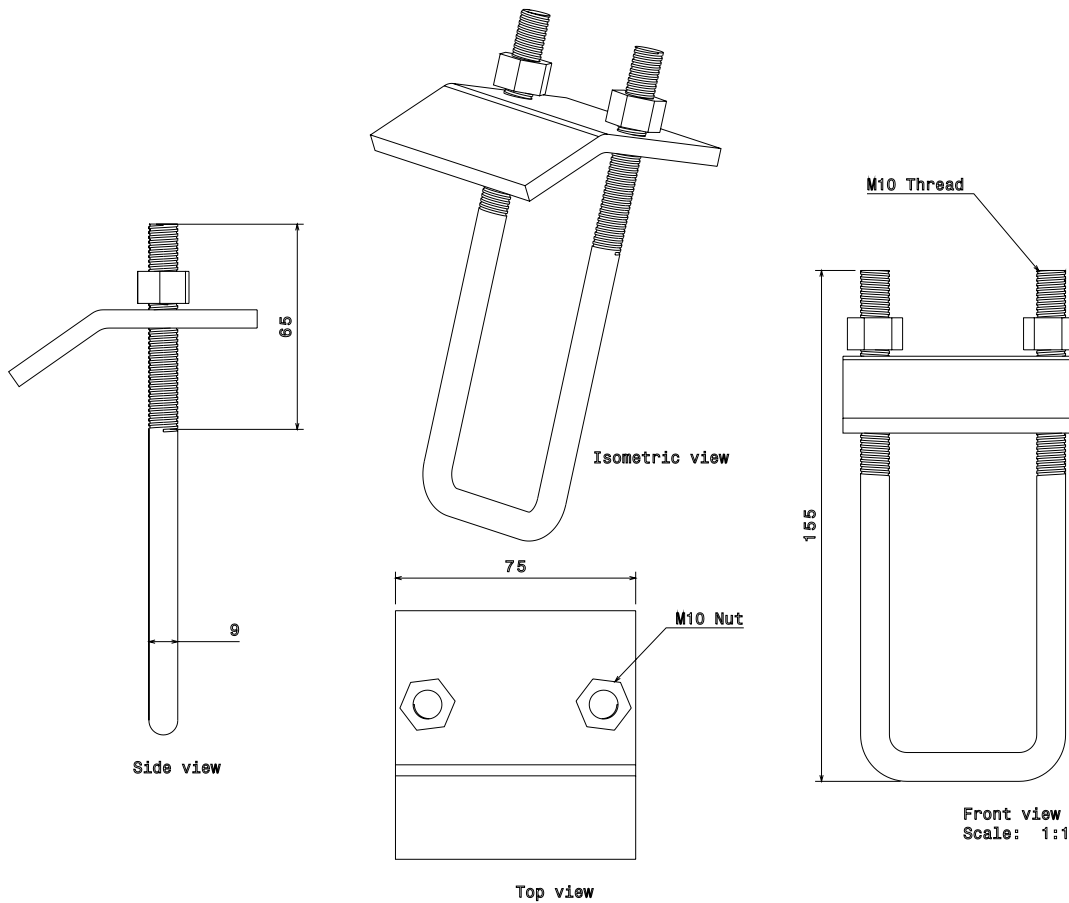
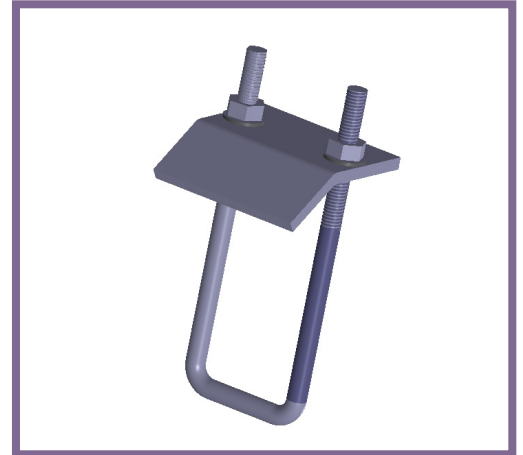




MP43/82/10 - CHANNEL BRACKET

Description	MP43/82/10 - 82mm U Bolt Beam Clamp c/w M10 nuts & washers
Finish	Plate - Hot Dipped Galvanised
Material	Steel
Packaging	Packed in qty 10
Additional Notes	Consists of Bracket plate, M10 U BZP Bolt, BZP Nuts & BZP washers Compliant to LU Standard 1-085 (for use on surface & sub-surface locations)



All measurements in mm unless otherwise stated