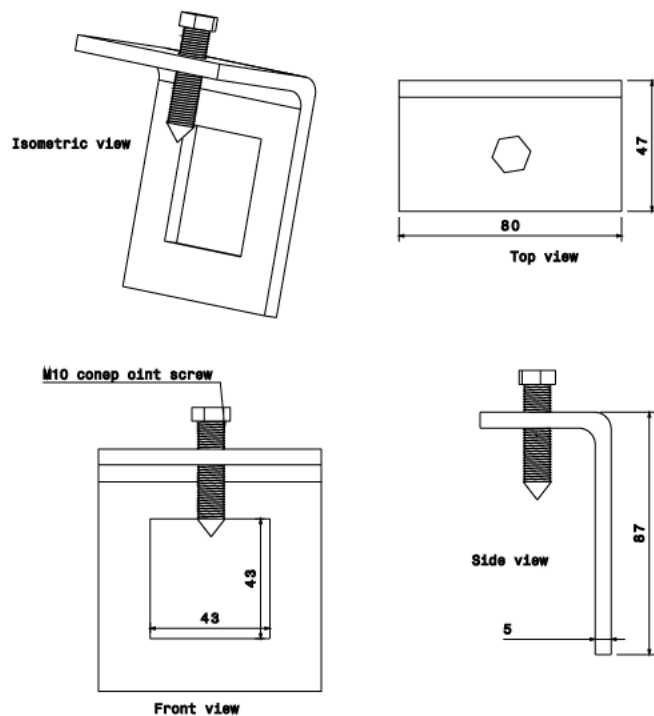
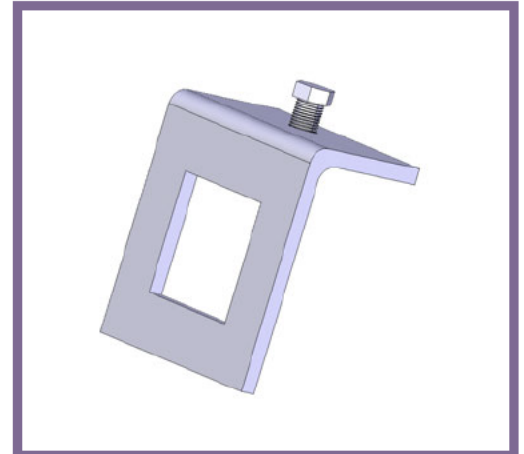




MP42/41 - CHANNEL BRACKET

| | |
|-------------------------|---|
| Description | MP42/41 - 41mm Window Beam Clamp c/w Cone Point |
| Finish | Hot Dipped Galvanised |
| Material | Steel |
| Packaging | Packed in qty 10 |
| Additional Notes | Supplied with M10 x 40mm 8.8HT BZP Cone Point Bolt Compliant to LU Standard 1-085 (for use on surface & sub-surface locations) |



All measurements in mm unless otherwise stated