



## MP42/21 - CHANNEL BRACKET

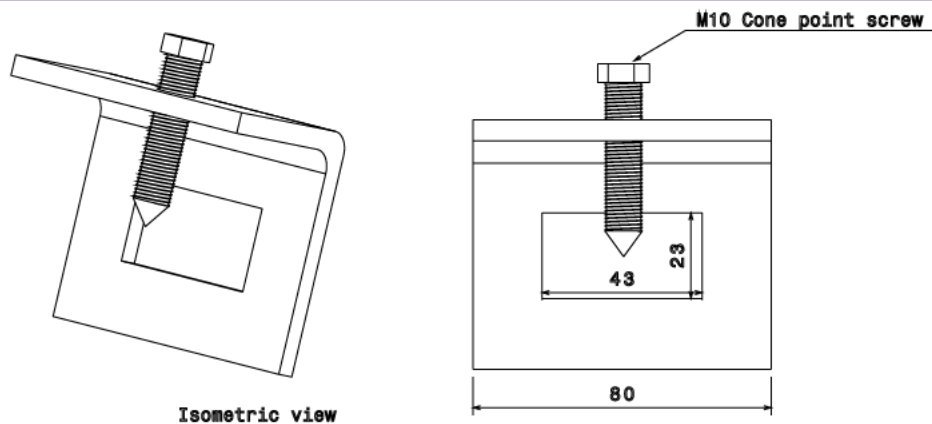
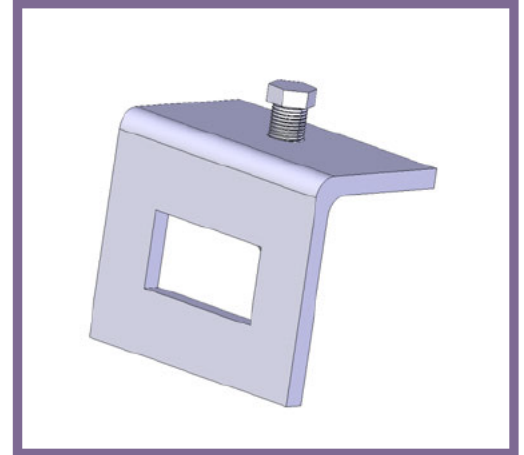
**Description** MP42/21 - 21mm Window Beam Clamp c/w Cone Point

**Finish** Hot Dipped Galvanised

**Material** Steel

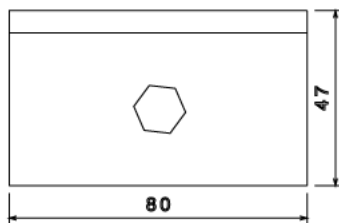
**Packaging** Packed in qty 10

**Additional Notes** Supplied with M10 x 40mm 8.8HT BZP Cone Point Bolt  
Compliant to LU Standard 1-085  
( for use on surface & sub-surface locations)

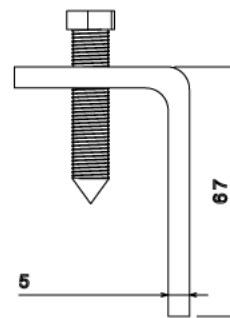


Isometric view

Front view



Front view



side view

All measurements in mm unless otherwise stated