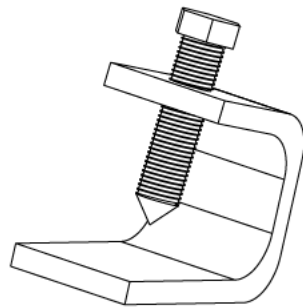
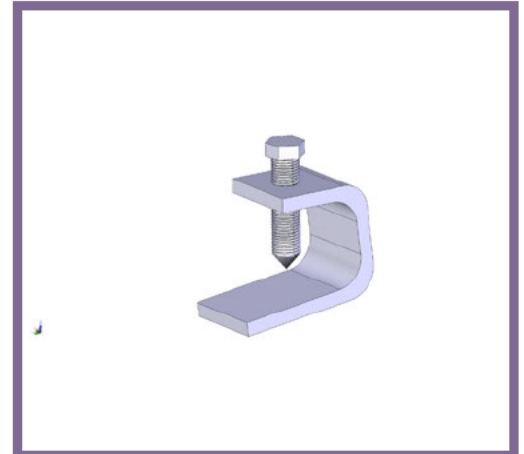


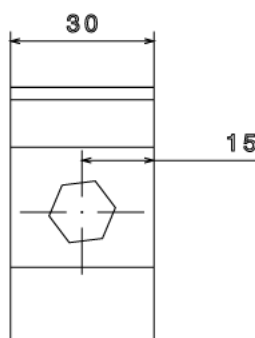


## MP40 - CHANNEL BRACKET

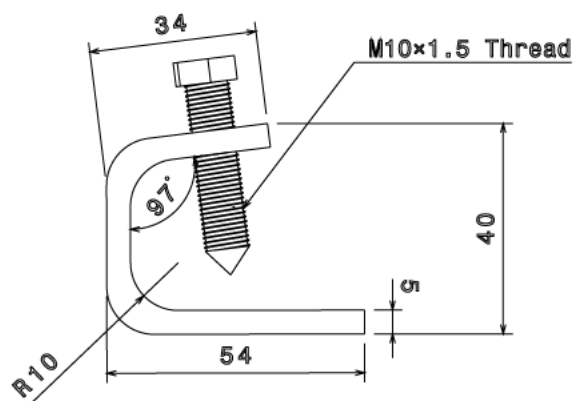
<b>Description</b>	MP40 - Small C Clamp c/w Cone Point
<b>Finish</b>	Hot Dipped Galvanised
<b>Material</b>	Steel
<b>Packaging</b>	Packed in qty 50
<b>Additional Notes</b>	Supplied with M10 x 40mm 8.8HT BZP Cone Point Bolt Compliant to LU Standard 1-085 ( for use on surface & sub-surface locations)



Isometric view



Top view



Side view

All measurements in mm unless otherwise stated