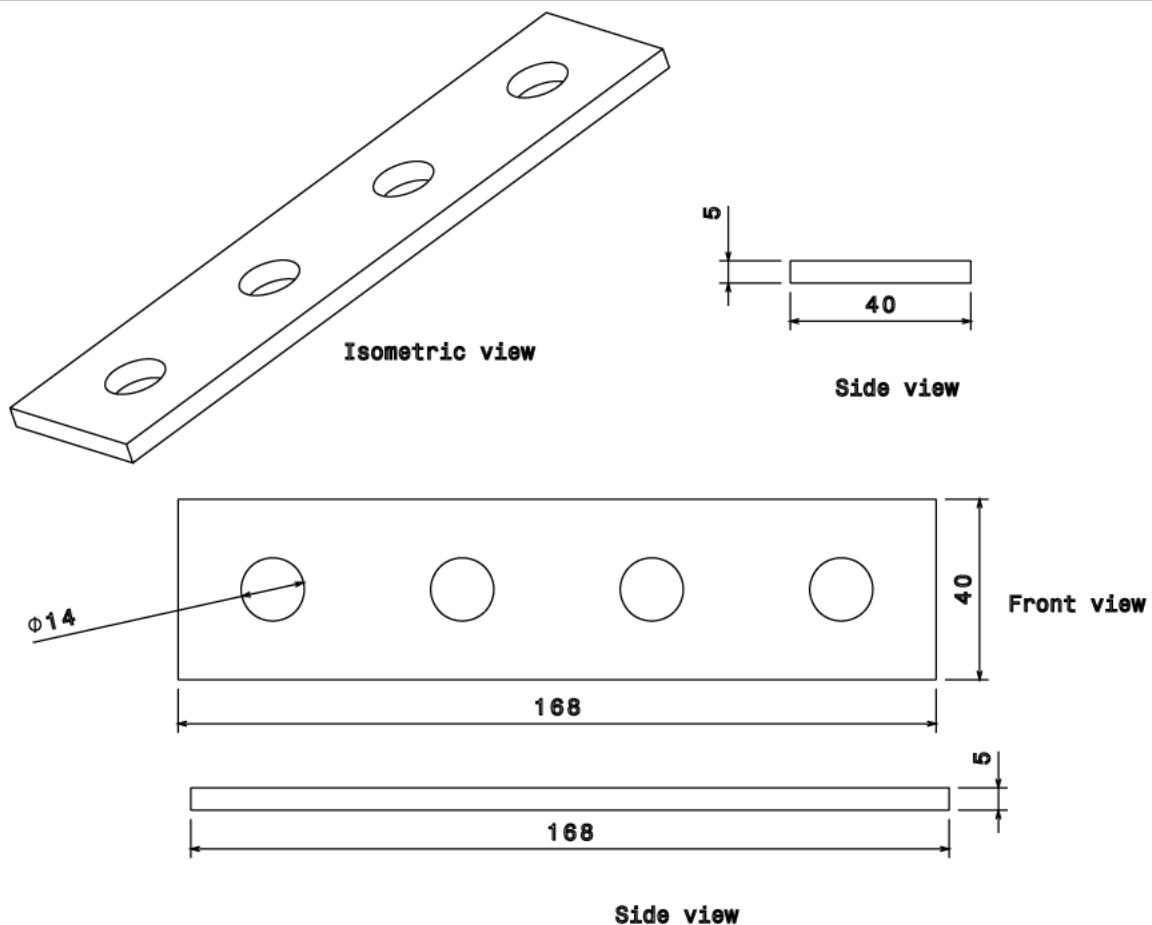
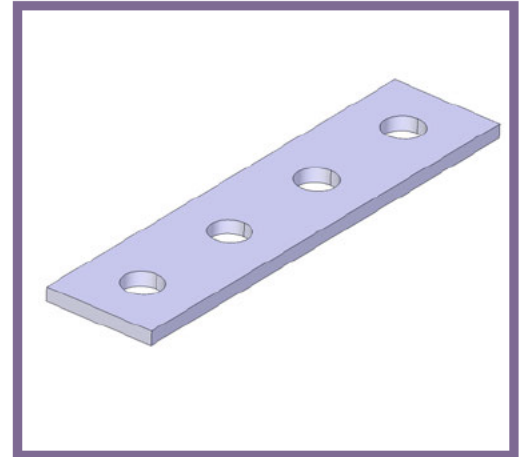




## MP4 - CHANNEL BRACKET

<b>Description</b>	MP4 - Splice Plate 4 Hole
<b>Finish</b>	Hot Dipped Galvanised
<b>Material</b>	Steel
<b>Packaging</b>	Packed in qty 50
<b>Additional Notes</b>	Compliant to LU Standard 1-085 (For use on surface & sub-surface locations)



All measurements in mm unless otherwise stated