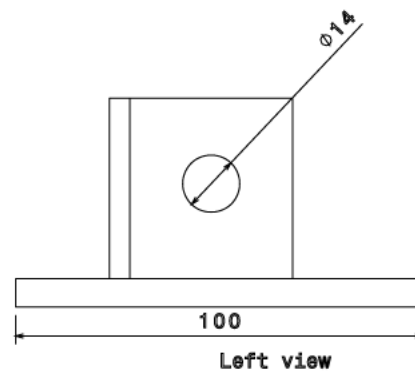
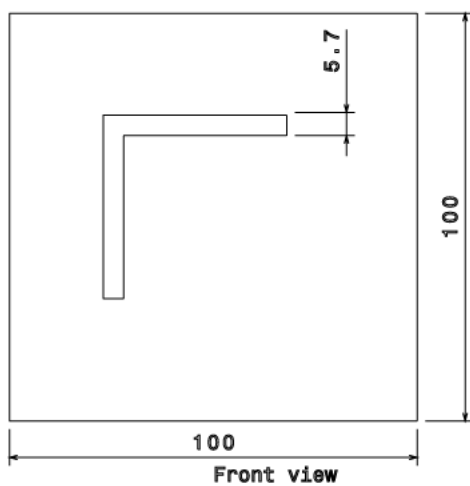
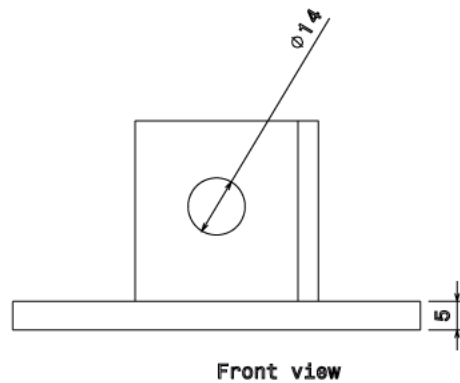
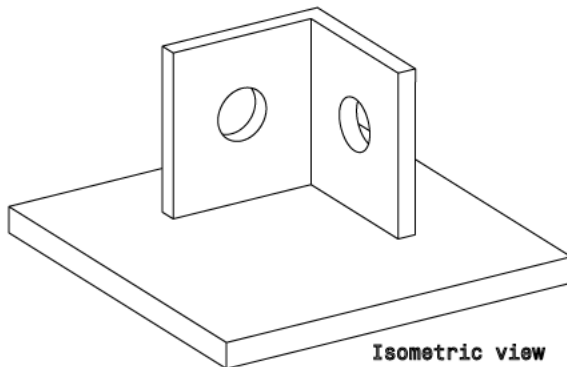
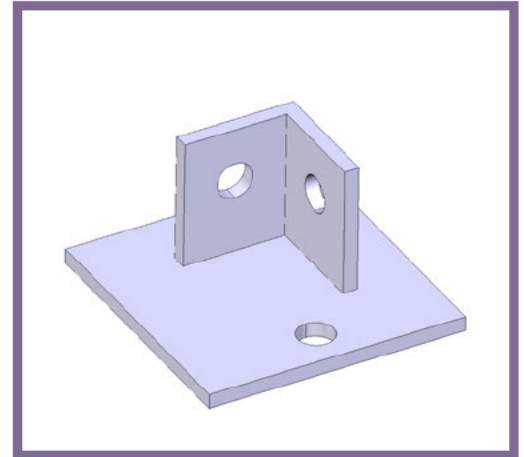




MP34 - CHANNEL BRACKET

Description	MP34 - Double Lug Channel Base Plate
Finish	Hot Dipped Galvanised
Material	Steel
Packaging	Packed in qty 25
Additional Notes	Compliant to LU Standard 1-085 (For use on surface & sub-surface locations)



All measurements in mm unless otherwise stated