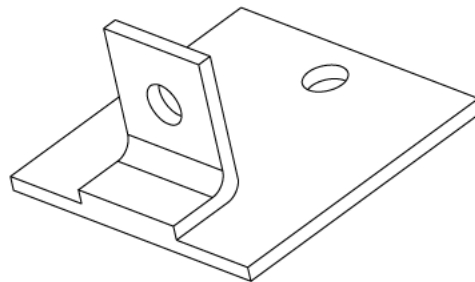
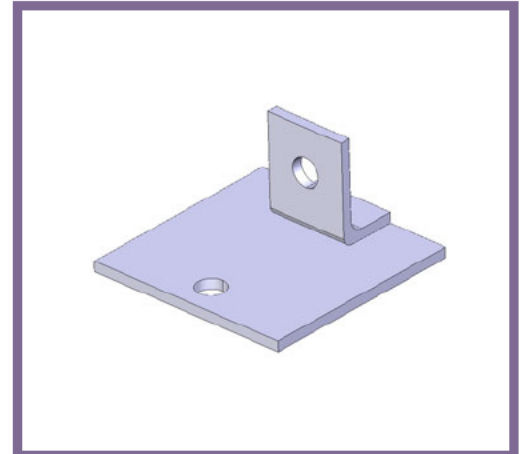


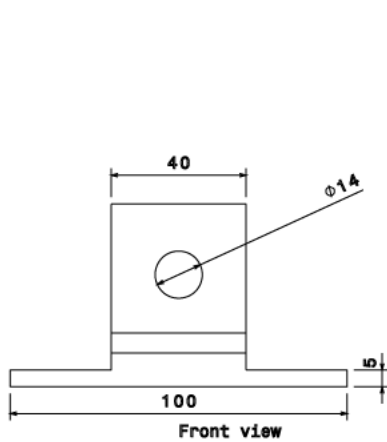


MP33 - CHANNEL BRACKET

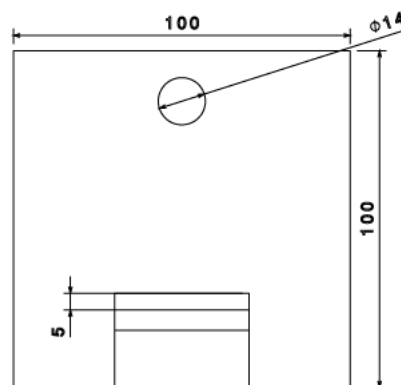
Description	MP33 - Single Lug Channel Base Plate
Finish	Hot Dipped Galvanised
Material	Steel
Packaging	Packed in qty 5
Additional Notes	Compliant to LU Standard 1-085 (For use on surface & sub-surface locations)



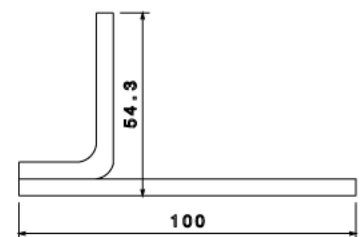
Isometric view



Front view



Top view



Side view

All measurements in mm unless otherwise stated