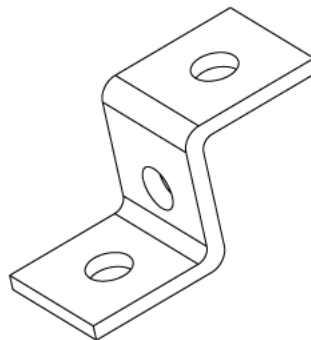
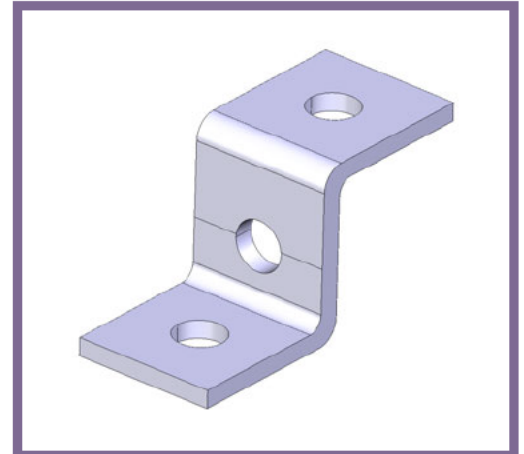


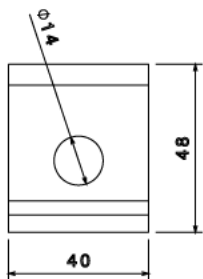


## MP25 - CHANNEL BRACKET

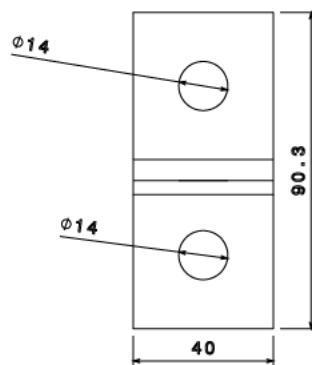
<b>Description</b>	MP25 - 41mm Z Bracket
<b>Finish</b>	Hot Dipped Galvanised
<b>Material</b>	Steel
<b>Packaging</b>	Packed in qty 25
<b>Additional Notes</b>	Compliant to LU Standard 1-085 (For use on surface & sub-surface locations)



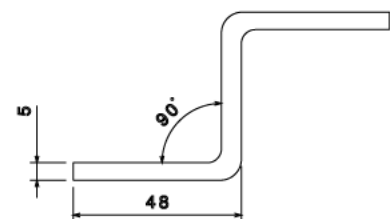
Isometric view



Front view



Top view



side view

All measurements in mm unless otherwise stated