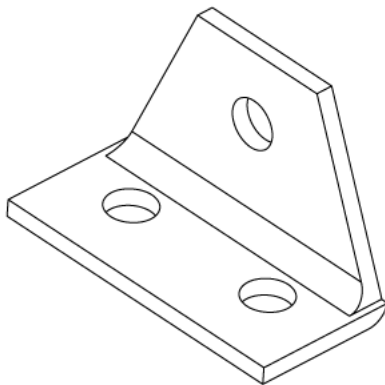
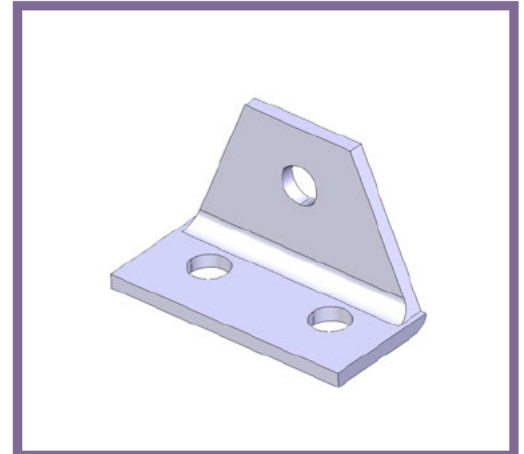


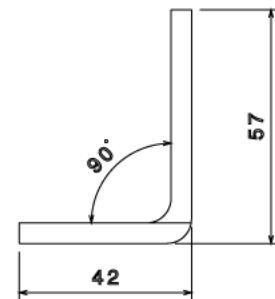


MP18 - CHANNEL BRACKET

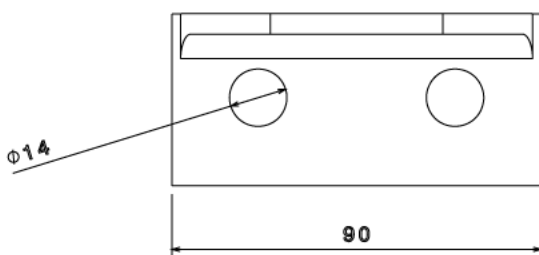
| | |
|-------------------------|--|
| Description | MP18 - 3 Hole 90° Bracket |
| Finish | Hot Dipped Galvanised |
| Material | Steel |
| Packaging | Packed in qty 25 |
| Additional Notes | Compliant to LU Standard 1-085 (For use on surface & sub-surface locations) |



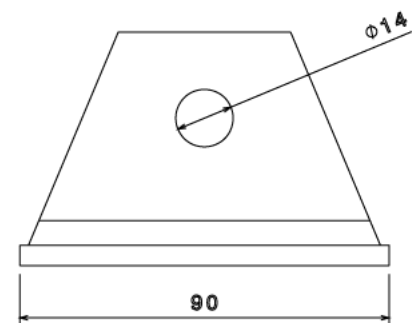
Isometric view



Side view



Top view



Front view

All measurements in mm unless otherwise stated