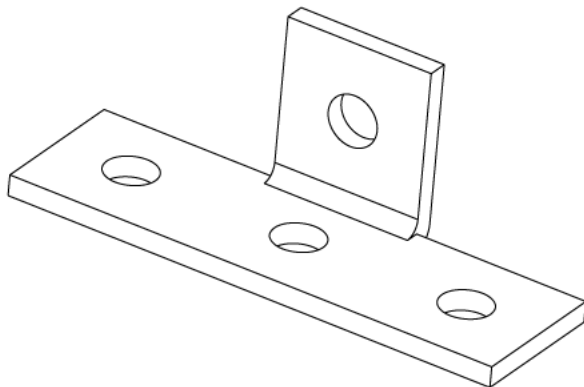
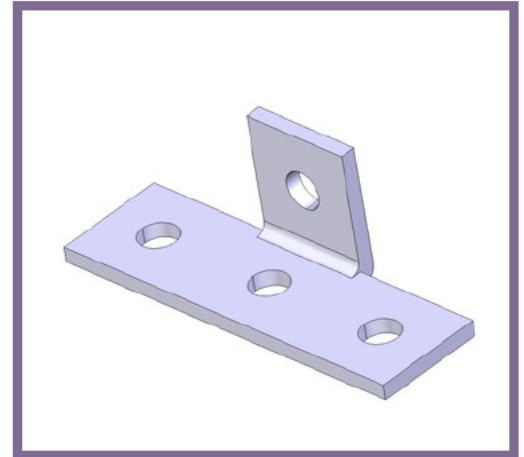


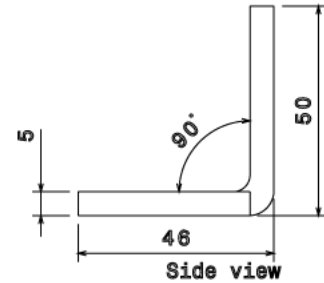


MP15 - CHANNEL BRACKET

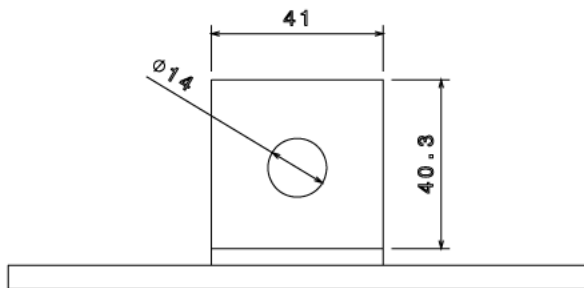
Description	MP15 - 90° Tee Bracket
Finish	Hot Dipped Galvanised
Material	Steel
Packaging	Packed in qty 25
Additional Notes	Compliant to LU Standard 1-085 (For use on surface & sub-surface locations)



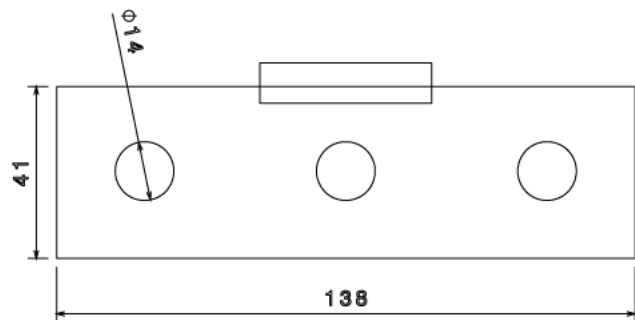
Isometric view



Side view



Front view



Top view

All measurements in mm unless otherwise stated