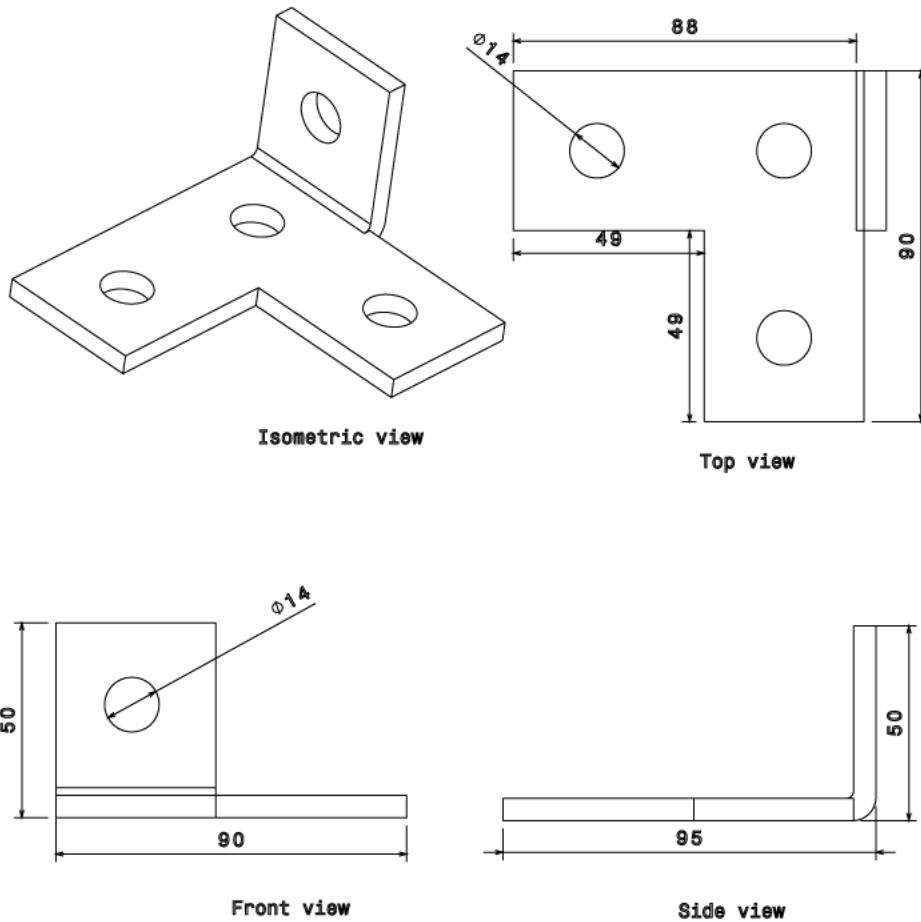
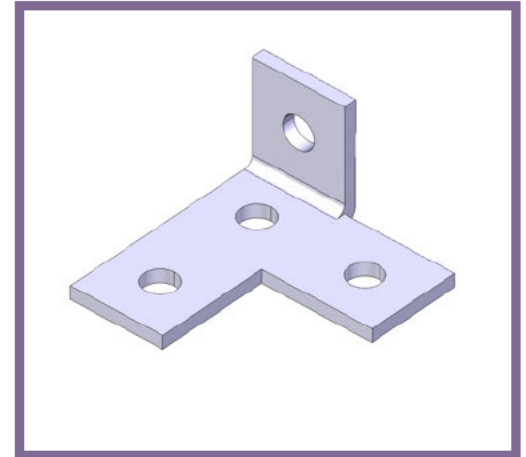




MP13 - CHANNEL BRACKET

Description	MP13 - LHT Corner Bracket
Finish	Hot Dipped Galvanised
Material	Steel
Packaging	Packed in qty 25
Additional Notes	Compliant to LU Standard 1-085 (For use on surface & sub-surface locations)



All measurements in mm unless otherwise stated