



MB9 - MALLEABLE CONDUIT BOX

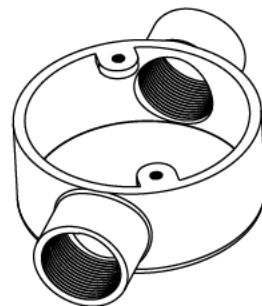
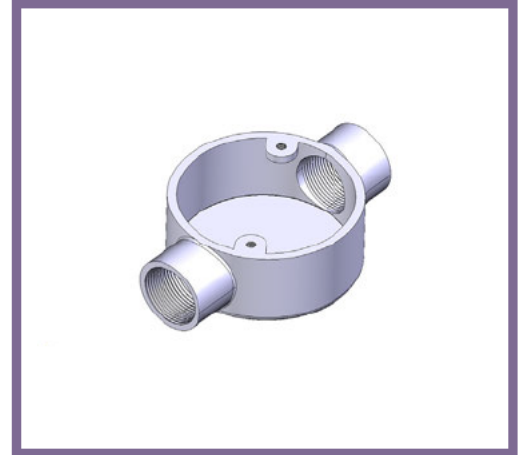
Description MB9G / B - 25mm Through Malleable Conduit Box

Finish Galvanised (G) or Black Enamel (B)

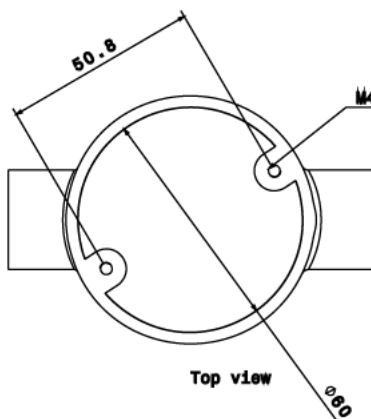
Material Malleable Iron

Packaging Packed in qty 10

Additional Notes Compliant to LU Standard 1-085
(For use on surface & sub-surface locations)

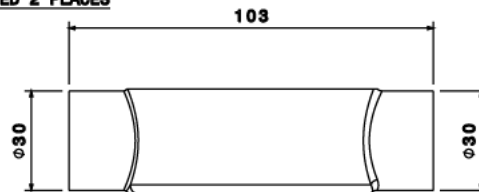


Isometric view



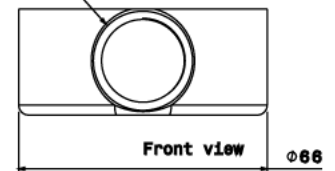
Top view

M4 TAPPED 2 PLACES



Side view

M25 CONDUIT THREAD x16MM DEEP



Front view

All measurements in mm unless otherwise stated