



MB7 - MALLEABLE CONDUIT BOX

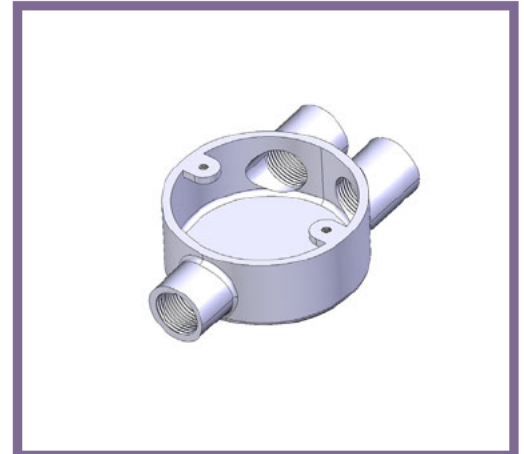
Description MB7G / B - 20mm Y Malleable Conduit Box

Finish Galvanised (G) or Black Enamel (B)

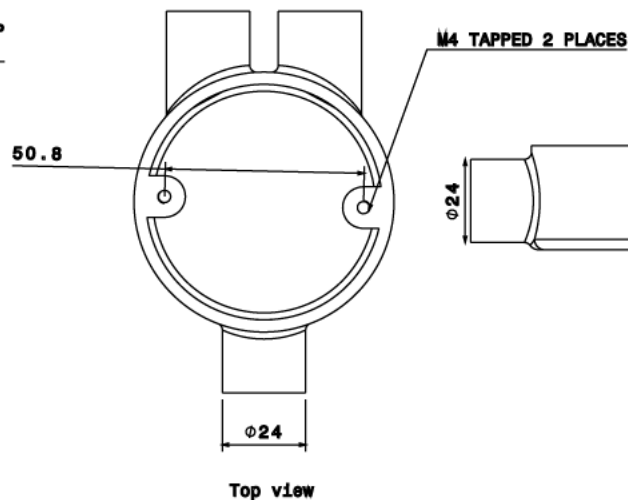
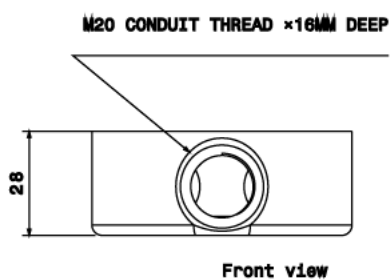
Material Malleable Iron

Packaging Packed in qty 10

Additional Notes Compliant to LU Standard 1-085
(For use on surface & sub-surface locations)



Isometric view



All measurements in mm unless otherwise stated