



MB23 - MALLEABLE CONDUIT BOX

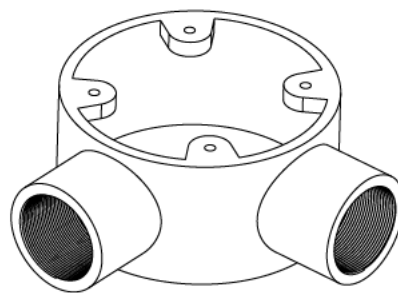
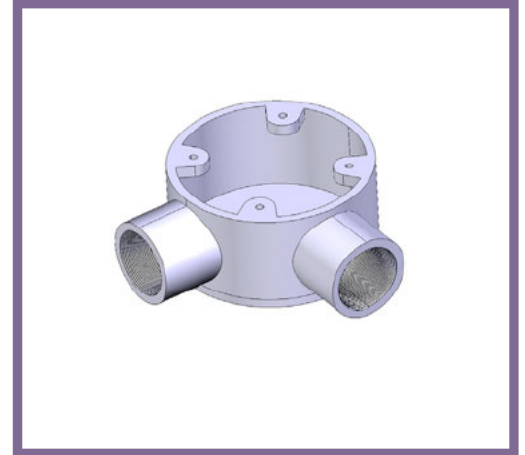
Description MB23G - 32mm Angle Malleable Conduit Box

Finish Galvanised

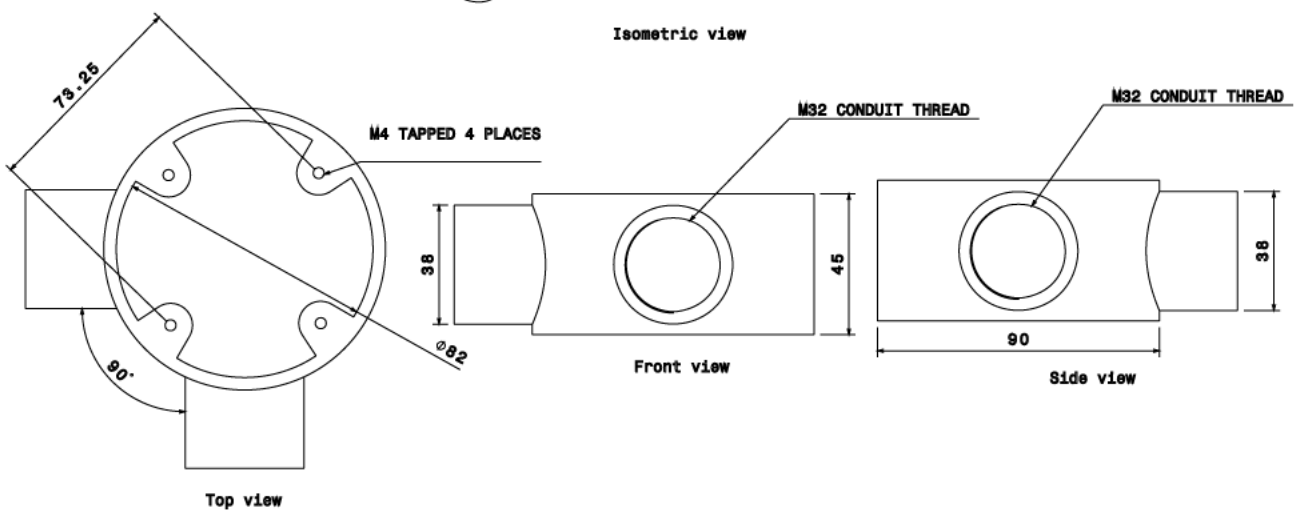
Material Malleable Iron

Packaging Packed in qty 1

Additional Notes Compliant to LU Standard 1-085
(For use on surface & sub-surface locations)



Isometric view



All measurements in mm unless otherwise stated