



MB17 - MALLEABLE CONDUIT BOX

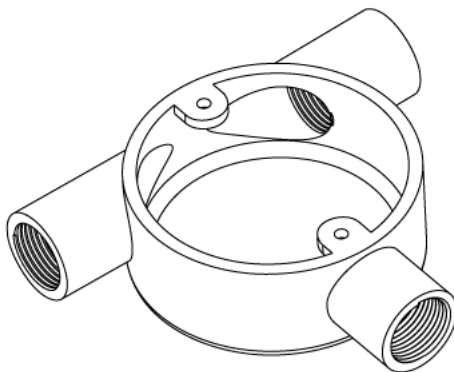
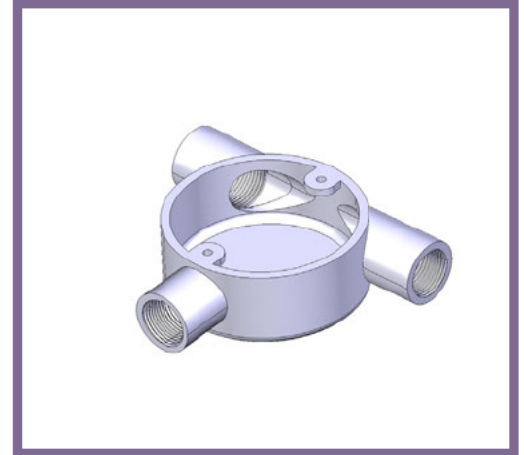
Description MB17G / B - 20mm Tangent Tee Malleable Conduit Box

Finish Galvanised (G) or Black Enamel (B)

Material Malleable Iron

Packaging Packed in qty 10

Additional Notes Compliant to LU Standard 1-085
(For use on surface & sub-surface locations)

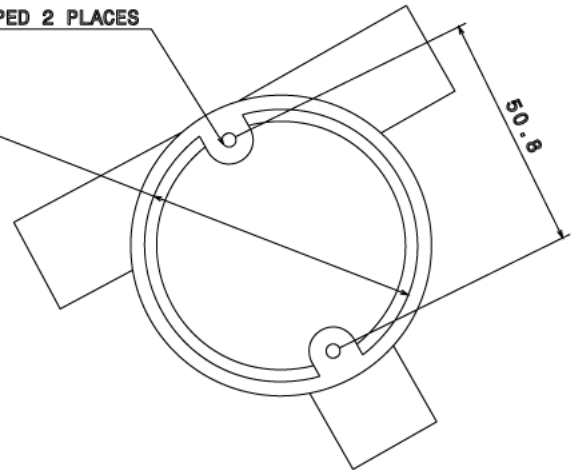


Isometric view

M4 TAPPED 2 PLACES

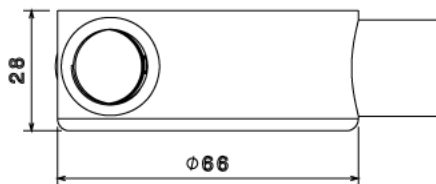
∅60

50.8

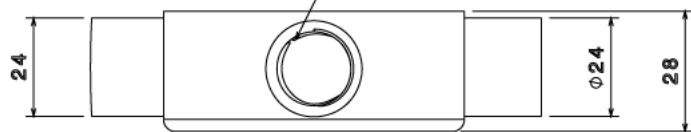


Top view

M25 CONDUIT THREAD x16MM DEEP



Side View



Front view

All measurements in mm unless otherwise stated