



MB15 - MALLEABLE CONDUIT BOX

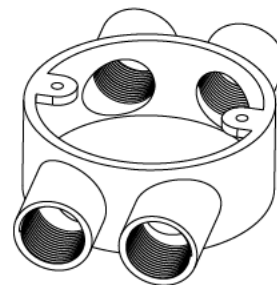
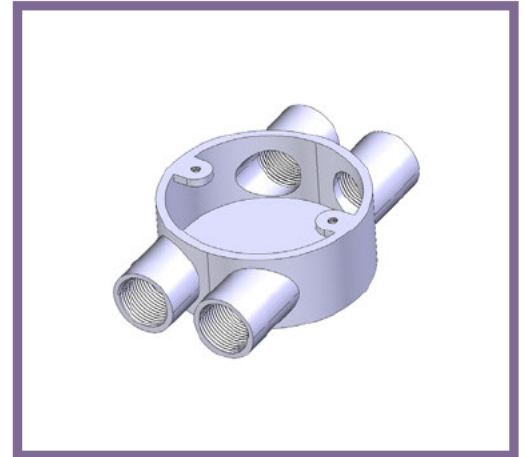
Description MB15G / B - 20mm H Malleable Conduit Box

Finish Galvanised (G) or Black Enamel (B)

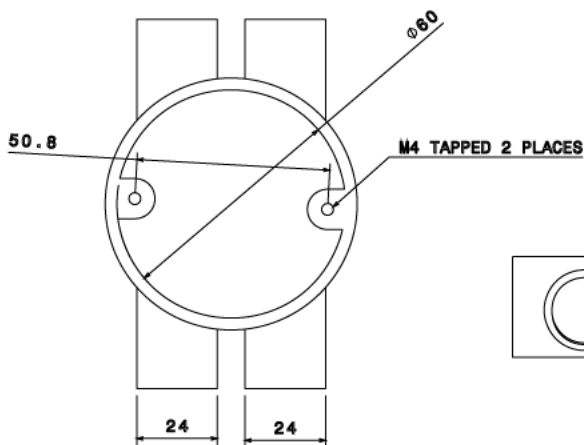
Material Malleable Iron

Packaging Packed in qty 10

Additional Notes Compliant to LU Standard 1-085
(For use on surface & sub-surface locations)



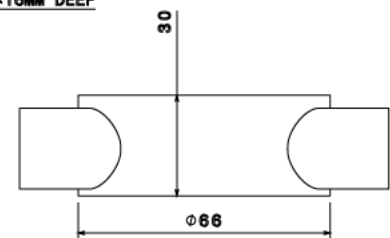
Isometric view



Top view



Front view



Side view

All measurements in mm unless otherwise stated