



## MB12 - MALLEABLE CONDUIT BOX

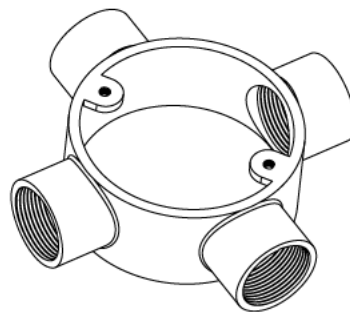
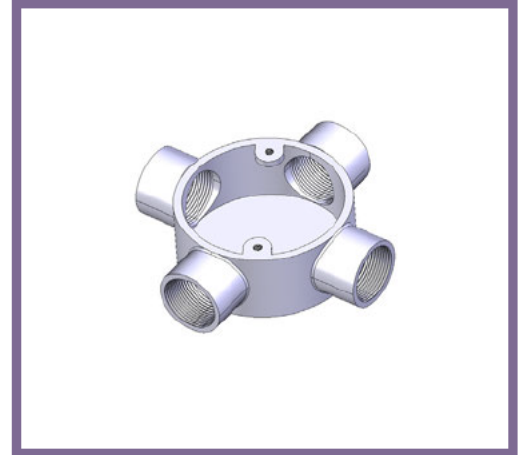
**Description** MB12G / B - 25mm Intersection Malleable Conduit Box

**Finish** Galvanised (G) or Black Enamel (B)

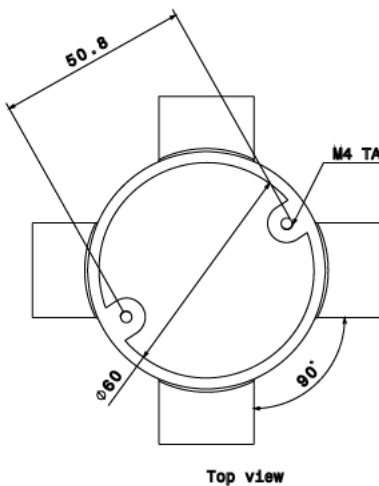
**Material** Malleable Iron

**Packaging** Packed in qty 10

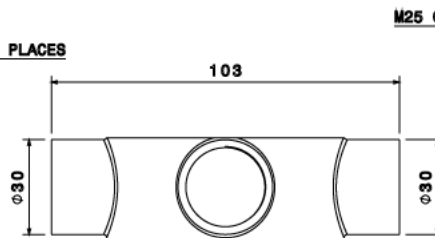
**Additional Notes** Compliant to LU Standard 1-085  
(For use on surface & sub-surface locations)



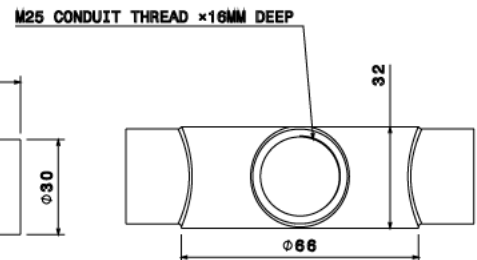
Isometric view



Top view



Front view



Side view

All measurements in mm unless otherwise stated