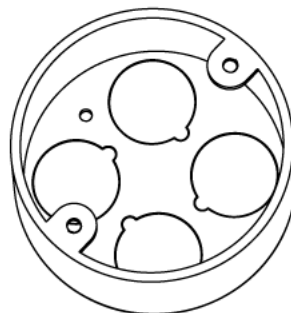


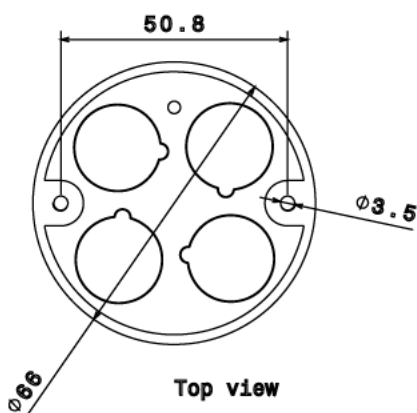


LP4 - LOOP IN BOX

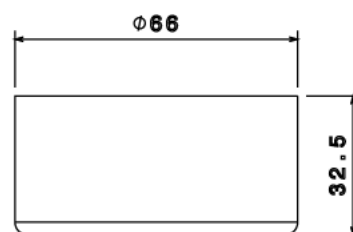
| | |
|-------------------------|--|
| Description | LP4G / B - Four Hole Knockout Loopin Box |
| Finish | BZP (G) or Black Enamel (B) |
| Material | Mild Steel |
| Packaging | Packed in qty 10 |
| Additional Notes | Contains four 20mm Knockout loopin hole Compliant to LU Standard 1-085 (for use on surface & sub-surface locations) |



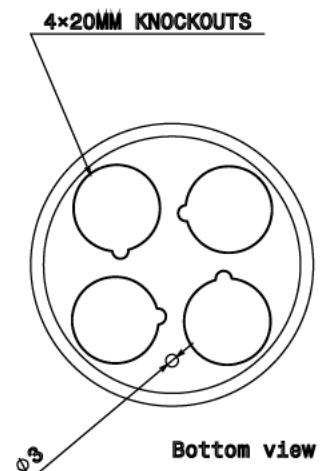
Isometric view



Top view



Side view



Bottom view

All measurements in mm unless otherwise stated