



## LN4 - LOCK NUT

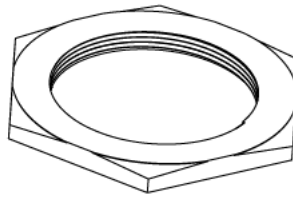
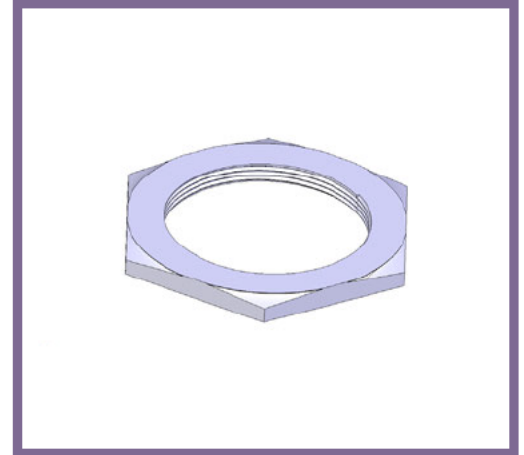
**Description** LN4G / B - 1½" Lock Nut - Light Pattern

**Finish** BZP (G) or Black Enamel (B)

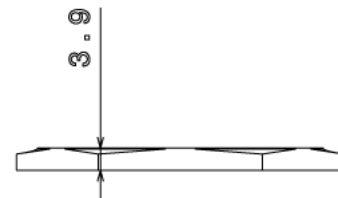
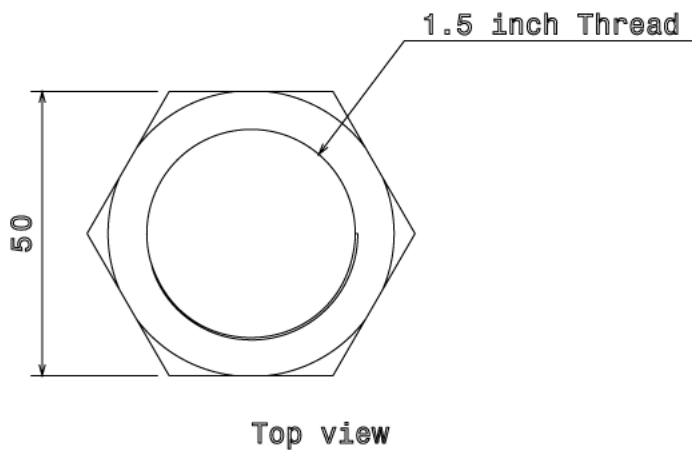
**Material** Steel

**Packaging** Packed in qty 50

**Additional Notes** Compliant to LU Standard 1-085  
(For use on surface & sub-surface locations)



Isometric view



All measurements in mm unless otherwise stated