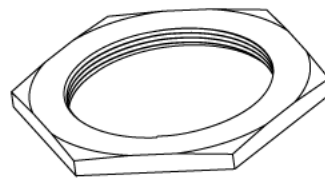
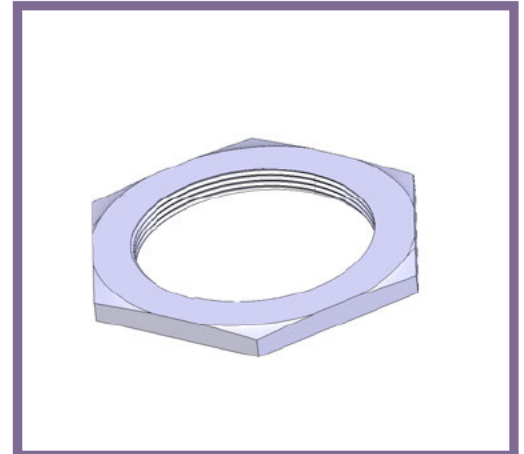


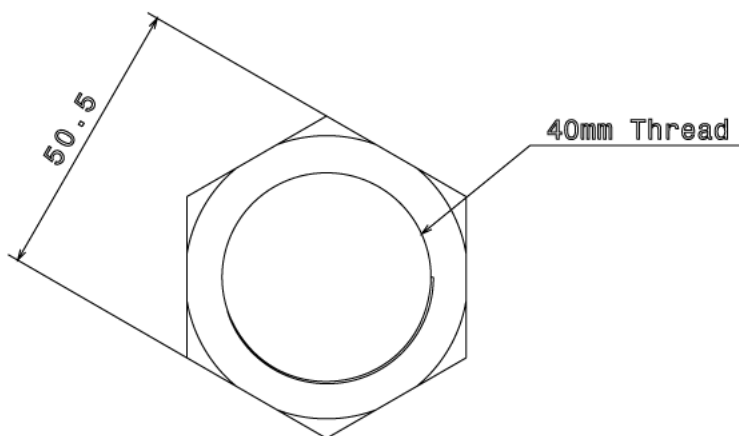


LN40 - LOCK NUT

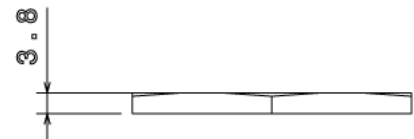
Description	LN40G - 40mm Lock Nut - Light Pattern
Finish	BZP
Material	Steel
Packaging	Packed in qty 50
Additional Notes	Compliant to LU Standard 1-085 (For use on surface & sub-surface locations)



Isometric view



Top view



Side view

All measurements in mm unless otherwise stated