



## LN3 - LOCK NUT

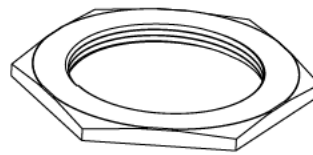
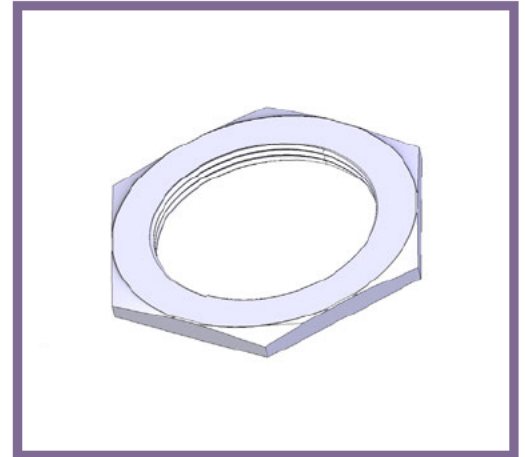
**Description** LN3G / B - 32mm Lock Nut - Light Pattern

**Finish** BZP (G) or Black Enamel (B)

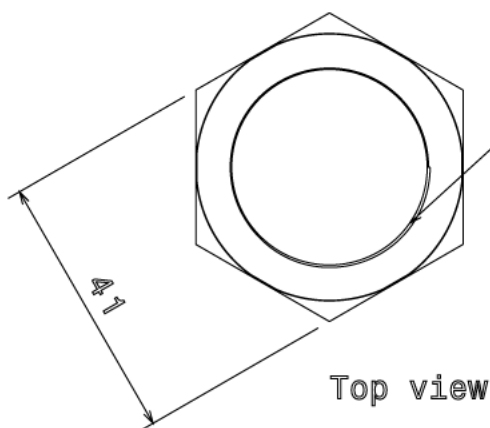
**Material** Steel

**Packaging** Packed in qty 100

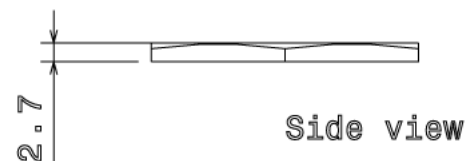
**Additional Notes** Compliant to LU Standard 1-085  
(For use on surface & sub-surface locations)



Isometric view



Top view



Side view

All measurements in mm unless otherwise stated