



## JC0 - NO 8 JACK CHAIN

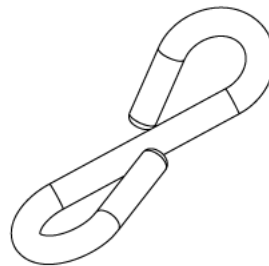
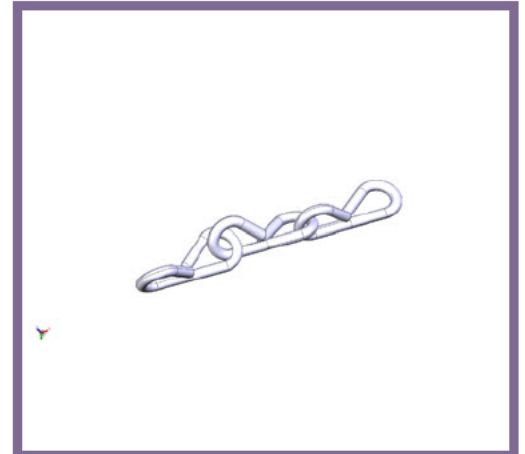
**Description** JC0 - No8 (4mm) Jack Chain 10mtr length

**Finish** Galvanised

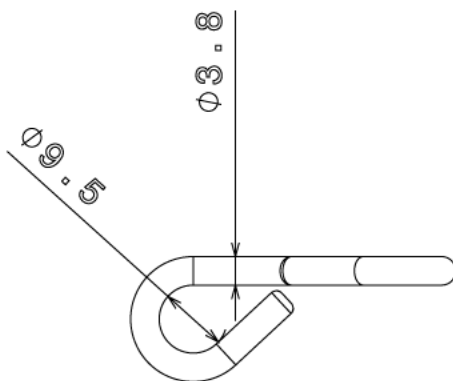
**Material** Steel

**Packaging** Packed in qty 1

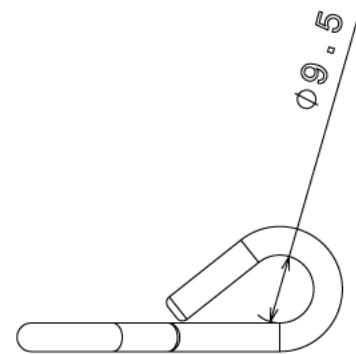
**Additional Notes** Pack contains 10 mtrs of Chain  
Compliant to LU Standard 1-085  
( for use on surface & sub-surface locations)



Isometric view



Top view



Side view

All measurements in mm unless otherwise stated