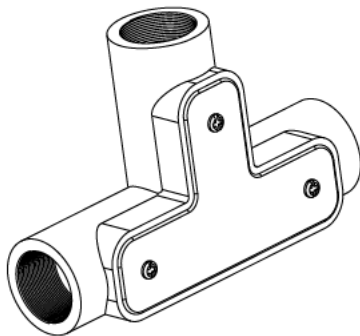
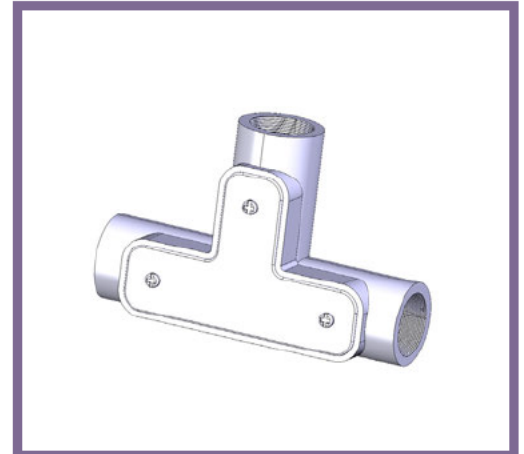


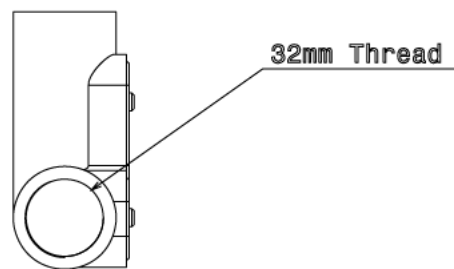


## IT3G - CONDUIT INSPECTION TEE

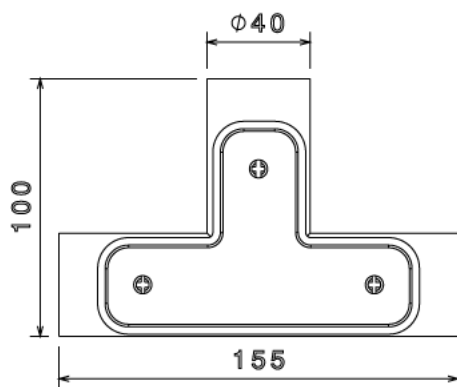
<b>Description</b>	IT3G - 32mm Conduit Inspection Tee
<b>Finish</b>	Galvanised
<b>Material</b>	Malleable Iron
<b>Packaging</b>	Packed in qty 1
<b>Additional Notes</b>	Compliant to LU Standard 1-085 (For use on surface & sub-surface locations)



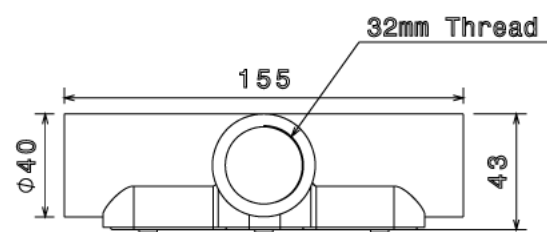
Isometric view



Side view



Front view



Top view

All measurements in mm unless otherwise stated