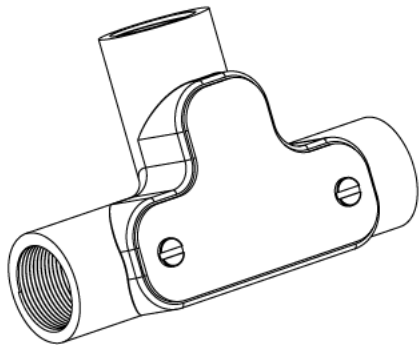
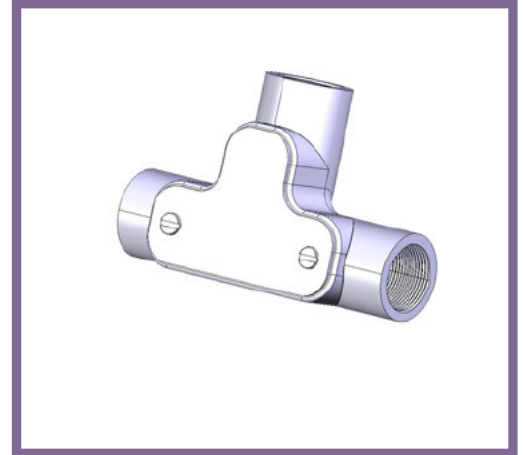


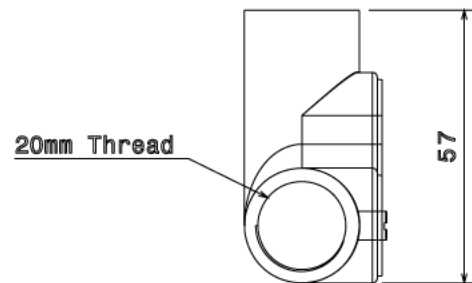


IT1 - CONDUIT INSPECTION TEE

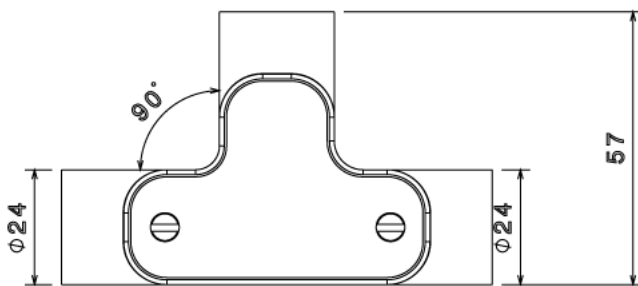
Description	IT1G / B - 20mm Conduit Inspection Tee
Finish	Galvanised (G) or Black Enamel (B)
Material	Malleable Iron
Packaging	Packed in qty 10
Additional Notes	Compliant to LU Standard 1-085 (For use on surface & sub-surface locations)



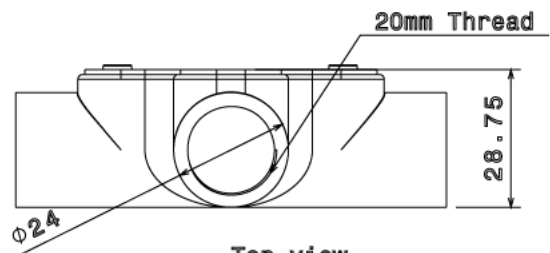
Isometric view



Side view



Front view



Top view

All measurements in mm unless otherwise stated