



IE2 - CONDUIT INSPECTION ELBOW

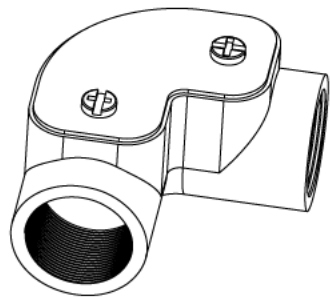
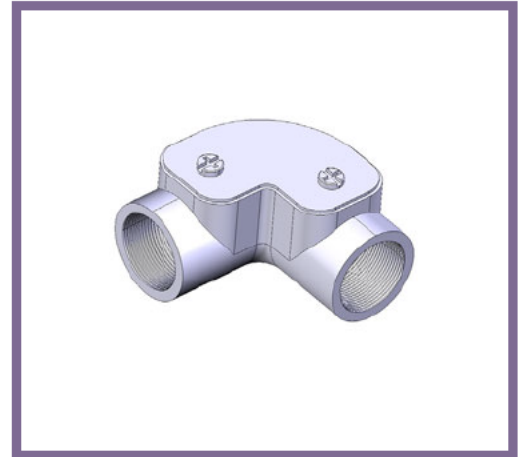
Description IE2G / B - 25mm Conduit Inspection Elbow

Finish Galvanised (G) or Black Enamel (B)

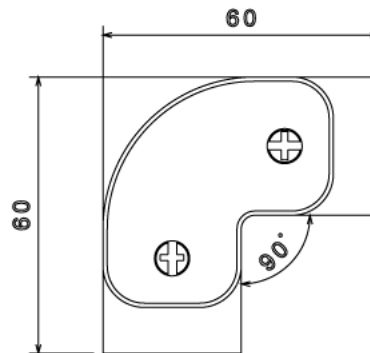
Material Malleable Iron

Packaging Packed in qty 10

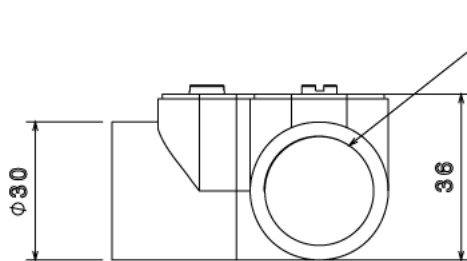
Additional Notes Compliant to LU Standard 1-085
(For use on surface & sub-surface locations)



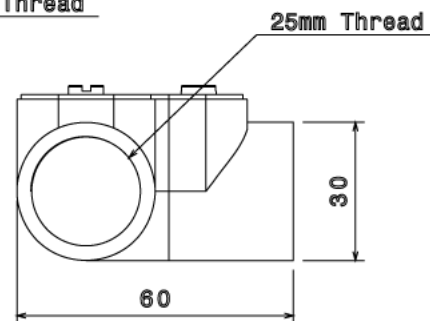
Isometric view



Top view



left view



Right view

All measurements in mm unless otherwise stated