



IE1 - CONDUIT INSPECTION ELBOW

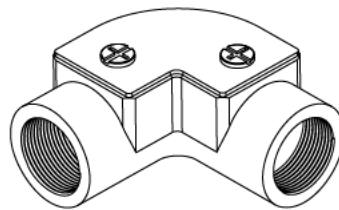
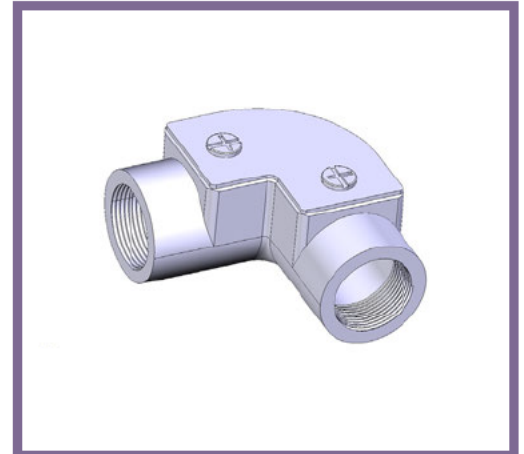
Description IE1G / B - 20mm Conduit Inspection Elbow

Finish Galvanised (G) or Black Enamel (B)

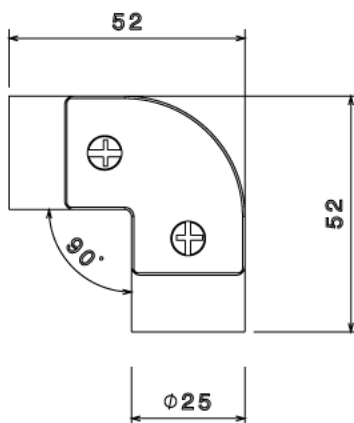
Material Malleable Iron

Packaging Packed in qty 10

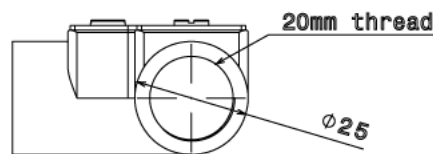
Additional Notes Compliant to LU Standard 1-085
(For use on surface & sub-surface locations)



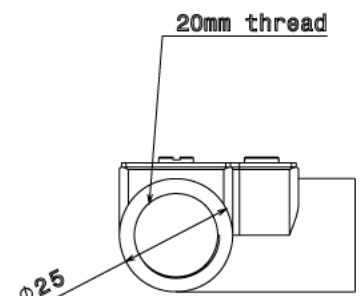
Isometric view



Top view



Front view



Side view

All measurements in mm unless otherwise stated