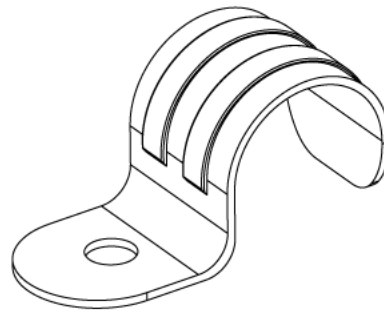
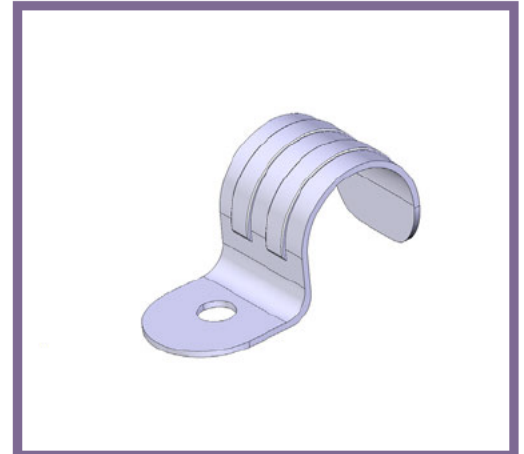


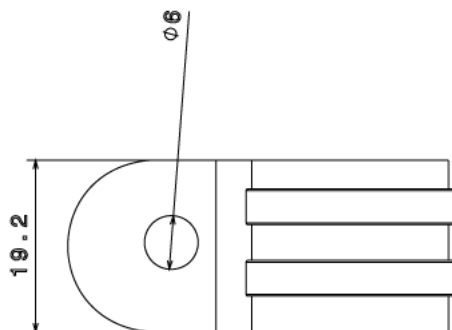


HS1 - HALF SADDLE

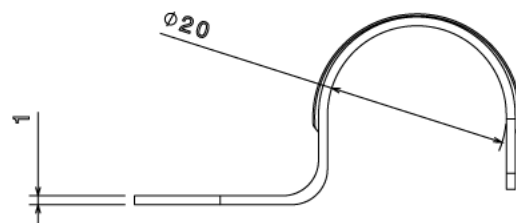
Description	HS1G / B - 20mm Half Saddle
Finish	BZP (G) or Black Enamel (B)
Material	Pressed Steel
Packaging	Packed in qty 100
Additional Notes	Compliant to LU Standard 1-085 (For use on surface & sub-surface locations)



Isometric view



Top view



Side view

All measurements in mm unless otherwise stated