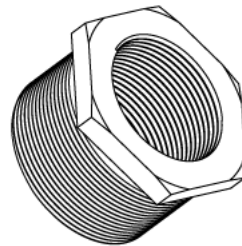
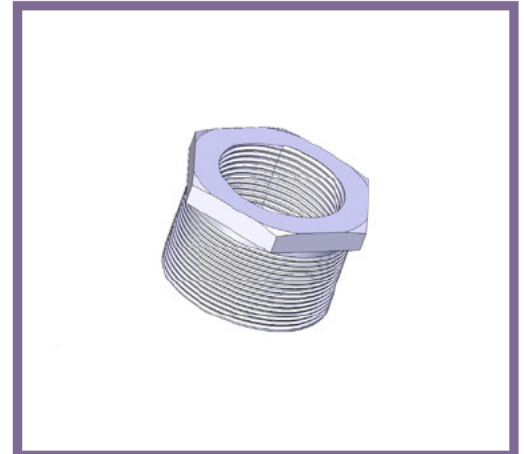


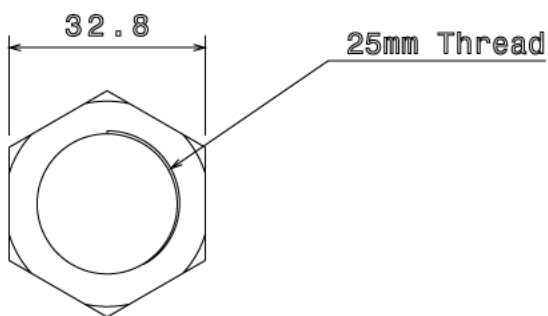


## HR4 - HEXAGON REDUCER

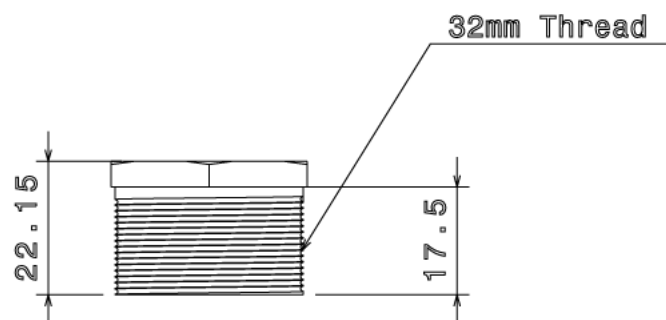
<b>Description</b>	HR4G / B 32 - 25mm Conduit Reducer
<b>Finish</b>	BZP (G) or Black (B)
<b>Material</b>	Mild Steel
<b>Packaging</b>	Packed in qty 25
<b>Additional Notes</b>	Compliant to LU Standard 1-085 (For use on surface & sub-surface locations)



Isometric view



Top view



Side view

All measurements in mm unless otherwise stated