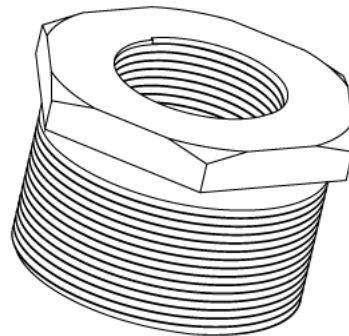
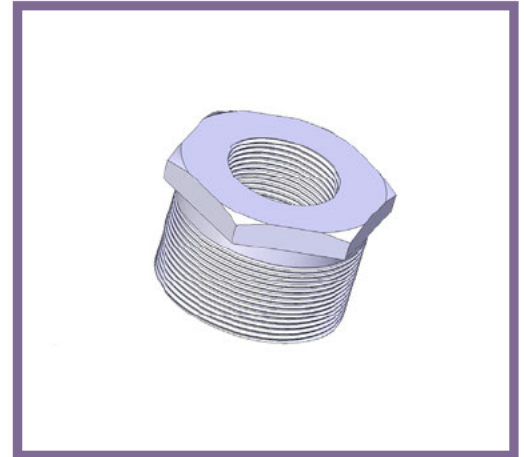


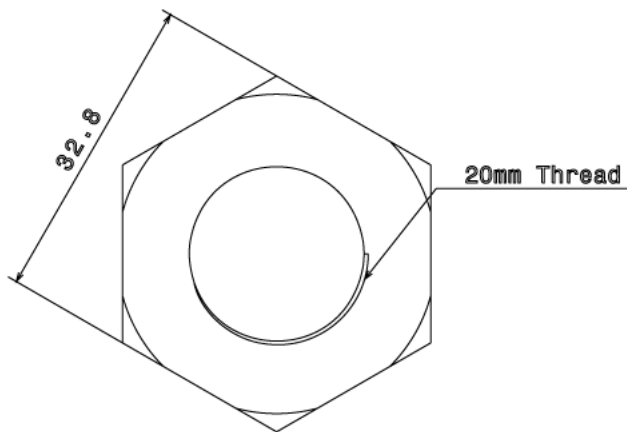


HR3 - HEXAGON REDUCER

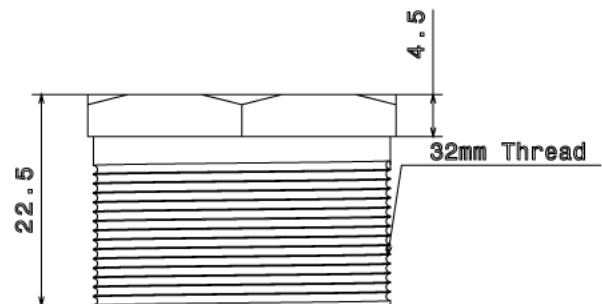
| | |
|-------------------------|--|
| Description | HR3G / B 32 - 20mm Conduit Reducer |
| Finish | BZP (G) or Black (B) |
| Material | Mild Steel |
| Packaging | Packed in qty 25 |
| Additional Notes | Compliant to LU Standard 1-085 (For use on surface & sub-surface locations) |



Isometric view



Top view



Side view

All measurements in mm unless otherwise stated