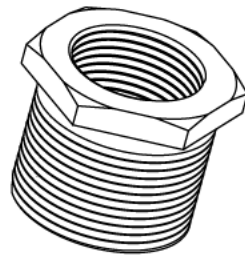
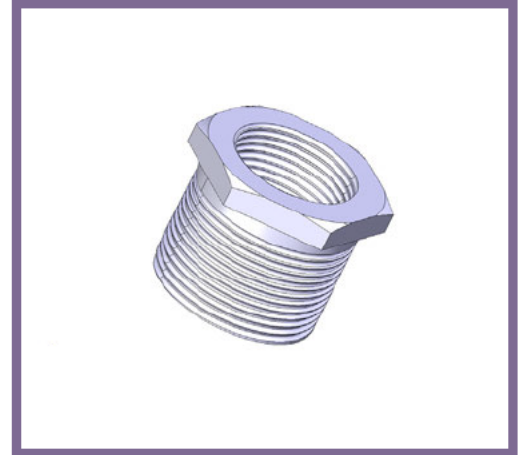




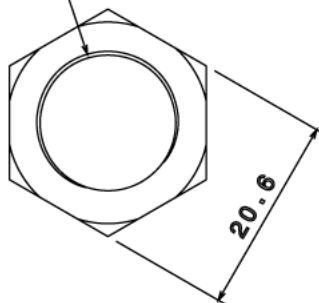
HR1 - HEXAGON REDUCER

Description	HR1G / B 20 - 16mm Conduit Reducer
Finish	BZP (G) or Black (B)
Material	Mild Steel
Packaging	Packed in qty 50
Additional Notes	Compliant to LU Standard 1-085 (For use on surface & sub-surface locations)



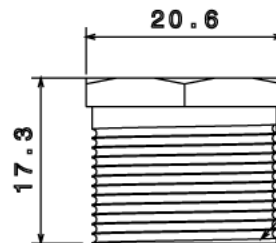
Isometric view

16mm Thread



Top view

20mm Thread



Side view

All measurements in mm unless otherwise stated