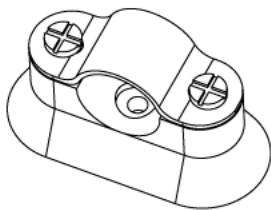
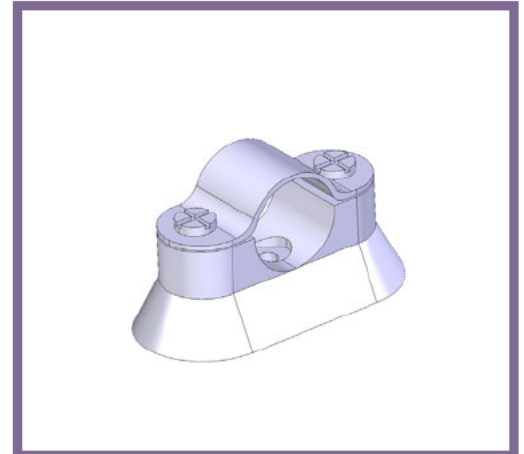


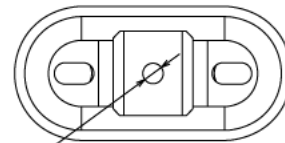


HOSP2 - HOSPITAL SADDLE

Description	HOSP2G - 25mm Hospital Saddle
Finish	Galvanised
Material	Malleable Iron Body , Pressed Steel Strap
Packaging	Packed in qty 20
Additional Notes	Comprises of Body, Strap and 2 screws Compliant to LU Standard 1-085 (for use on surface & sub-surface locations)

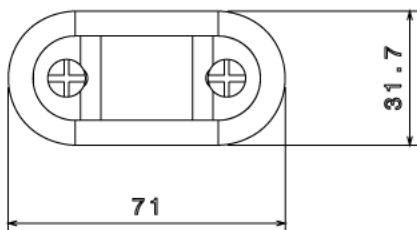


Isometric view

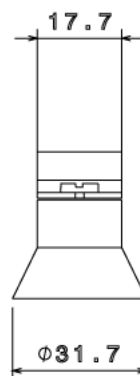


Bottom view

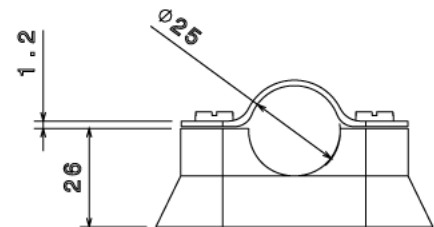
Ø5



Top view



Side view



Front view

All measurements in mm unless otherwise stated