



## HN1 - LOCK NUT - HEAVY PATTERN

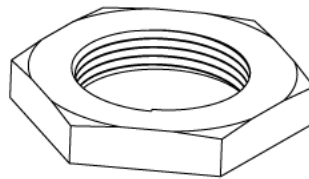
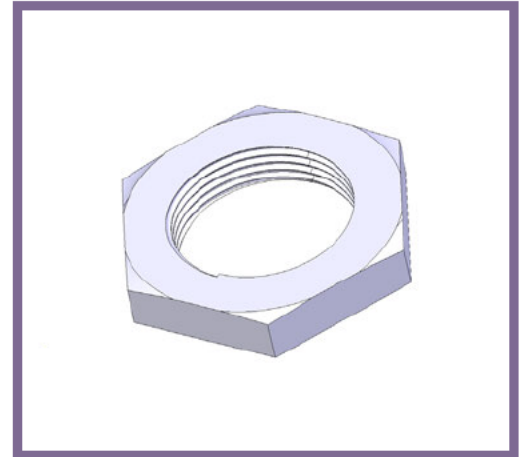
**Description** HN1G - 20mm Lock Nut - Heavy Pattern

**Finish** BZP

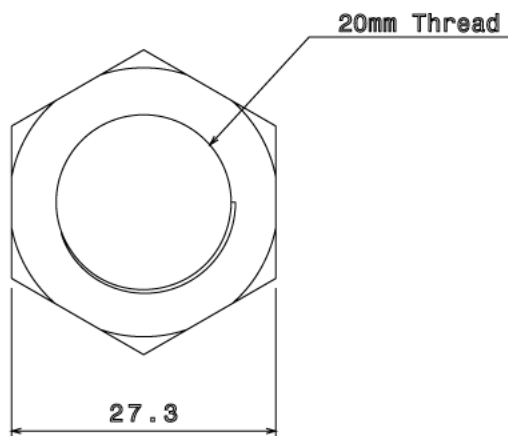
**Material** Steel

**Packaging** Packed in qty 100

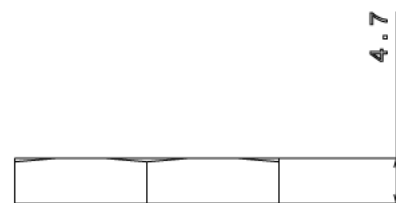
**Additional Notes** Compliant to LU Standard 1-085  
(For use on surface & sub-surface locations)



**Isometric view**



**Front view**



**Side view**

All measurements in mm unless otherwise stated