

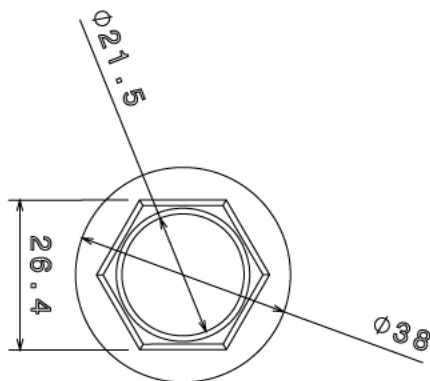


FCS2 - FLANGE COUPLER

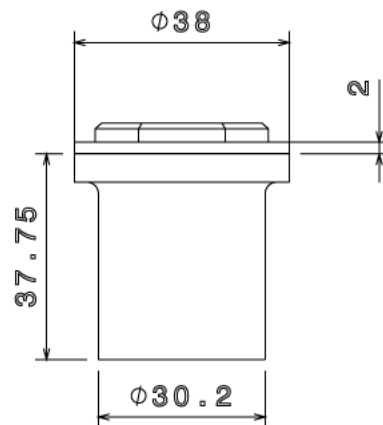
| | |
|-------------------------|--|
| Description | FCS2G / B - 25mm Flange Coupler |
| Finish | Galvanised (G) or Black Enamel (B) |
| Material | Steel Body, Lead Washer and Brass Bush |
| Packaging | Packed in qty 25 |
| Additional Notes | Comprises of Flange Body, Lead Washer and Male Brass Bush Compliant to LU Standard 1-085 (for use on surface & sub-surface locations) |



Isometric view



Top view



Side view

All measurements in mm unless otherwise stated